







CZ637-□

ATEX, IECEx certified DARK FIGHTER TYPE 2MP 33X AI

Network Explosion Proof PTZ Speed Dome Camera



Certificate

Certificate Mark	<p>CZ637-C:   II 2 G Ex db op pr IIC T6 Gb</p> <p> II 2 D Ex tb op pr IIIC T80 °C Db</p> <p>Other model:   II 2 G Ex db IIC T6 Gb</p> <p> II 2 D Ex tb IIIC T80 °C Db</p>
Series definition	<p>CZ637-C (optical fiber cable output, Single mode single fiber). CZ637 (None: high configuration, A (Basic), B (Lower configuration), D (Starlight)).</p>
Standards	<p>EN IEC60079-0:2018, EN60079-1:2014, EN60079-28:2015, EN60079-31:2014 , IEC60079-0:2017, IEC60079-1:2014, IEC60079-28:2015, IEC60079-31:2013</p>
Certificates	<p>CNEX 19 ATEX 0038X, IECEx CNEX 19.0028X</p>

Mechanical

Housing	Stainless steel 304 or 316L
IP	IP68
Cable thread hole	1pcs M27×1.25 or M25×1.5
Wiper	No
sunshade	Support

Electrical

Voltage	AC24V ± 25% or POE+ (802.3at) or 100~240V AC
Power	Less than 75W

Ambient

Ambient temperature	-40°C~+60°C
Air pressure	80~110kPa
Relative Humidity	≦95% (no condensation) @25°C

Pan & Tilt

Pan	360° endless
Tilt	-20 to 90°
Speed	Horizontal 0.1-300°/s, Vertical 0.1-150°/s
Cruise Scan	Support
Keep watch	Support
Preset	64/128/255/300
Tour	8 (up to 32 presets per tour)
Resume function	Support
Auto Cruise	Support
Auto Scan	Support

Camera

Image Sensor	1/1.8" progressive scan, 2.0 megapixel, CMOS
Frame rate	Main stream: 2MP (1920x1080), Max. 30fps
Min. Illumination	Color 0.001Lux/F1.5 B/W: 0.0001Lux/F1.5
Shutter Time	Auto/ Manual, 1sec~ 1/3,0000 sec
Iris	Auto/Manual F1.5~F4.8
Day&Night	Auto ICR
Digital noise reduction	2D/3D DNR
S/N Ratio	More than 52dB
Defog	Digital Defog
WDR	120dB
Support	White balance, auto gain control
Privacy Masking	Up to 24 areas

Lens

Focal Length	5.8-191.4mm, 33X optical			
Aperture Range	F1.5-F4.8			
Angle of View	H: 60.1-3.2°; V:35.3-1.8°; D:67.9-3.7°			
DORI distance	Detect	Observe	Recognize	Identify

	1655m (5429.80ft)	622m (2040.68ft)	331m (1085.96ft)	165m (541.34ft)
--	----------------------	---------------------	---------------------	--------------------

Artificial Intelligence

Video Meta data	Support human, motor Vehicle and non-motor Vehicle image capture
Perimeter Protection	Tripwire and intrusion, Support alarm triggering by target types(human and vehicle), Support filtering false alarms caused by animals, rustling leaves, bright lights, ect
SMD Plus	Support
Auto tracking	Support
Face Detection	Support

General Intelligence

Event Trigger	Motion detection, video tampering, Scene changing, Network disconnection, IP address conflict, illegal access, and storage anomaly.
General IVS	Object Abandoned/ Missing

Network

Network Interface	1pcs of RJ45, support 10M/100M
Video Compression	Ultra 265, H.265, H.264, MJPEG
Audio Compression	G.711A; G.711Mu; G.726; AAC; G.722.1; G.723; G.729; PCM; MPEG2-Layer2
Voice Intercom	Support
Stream	Support three streams
Internet Protocol	IPv4; IPv6; HTTP; HTTPS; 802.1x; Qos; FTP; SMTP; UPnP; SNMPv1/v2c/v3(MIB-2); DNS; DDNS; NTP; RTSP; RTP; TCP; UDP; IGMP; ICMP; DHCP; PPPoE; ARP; RTCP
Time Display	Support
Compatible Integration	ONVIF(profile S, profile s&G), CGI
Security	Password protection, Multiple access control

Optional Audio in	1(LINE IN; bare wire)
Optional Aduio out	1(LINE OUT; bare wire)
Optional	7/2

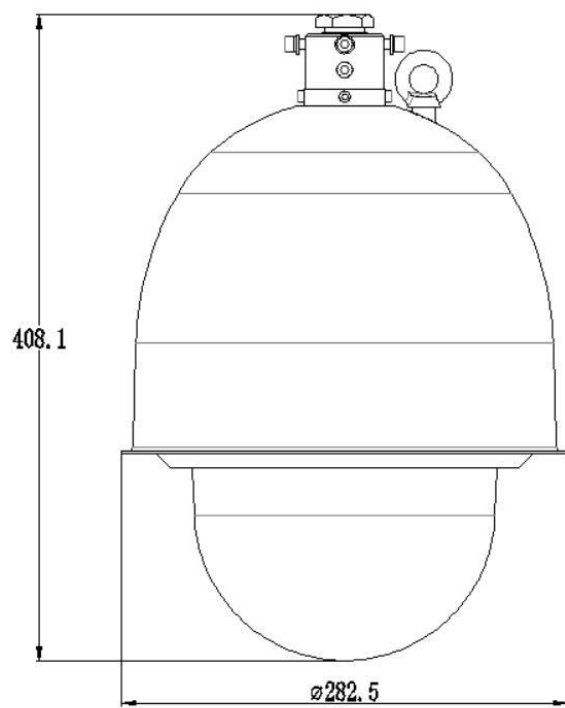
Control

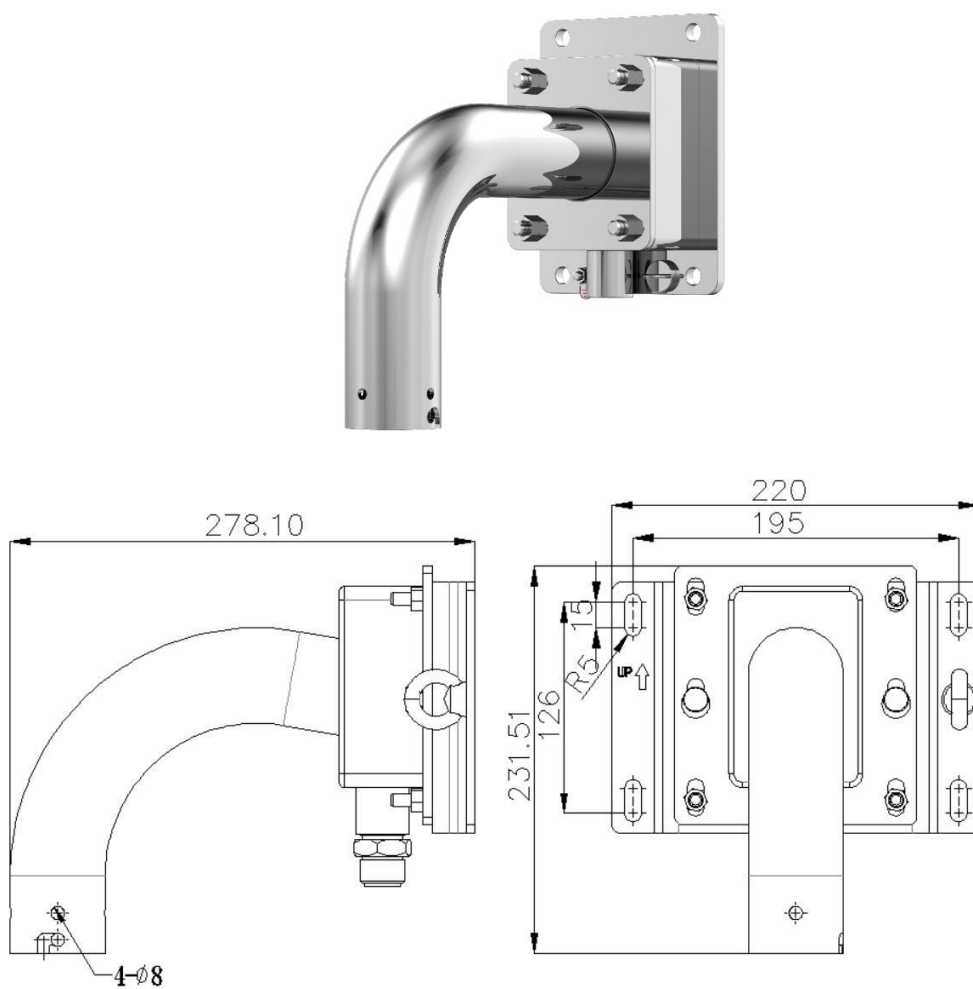
Camera address	on/off (0-254)
Focus Mode	Auto/Manual/One touch
Gain	off/ lower/ higher
Slow shutter	X256 MAX
White Balance	Auto white balance 1/auto white balance 2/Manual/auto
Private	Off/ Mode 1/ Mode 2
Video	3D DNR, mirror, brightness, Contrast, Sharpness adjustab
Digital zoom	X16
Zoom display	on/off
ZCF control mode	mode 1, mode 2

General

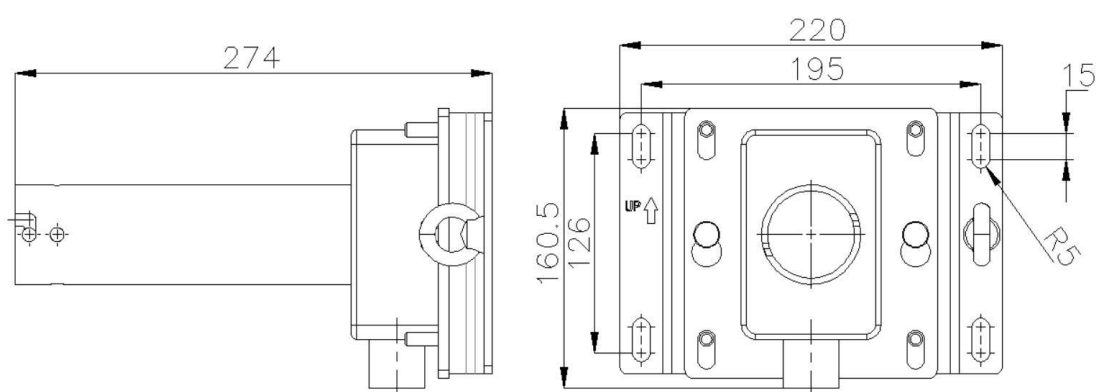
Cable	integrated cable
Size	282.5*282.5*408.1mm
Weight	18kg
Mounted	wall, ceiling
Wall bracket	ZAZ637-B
Ceiling mounted bracket	ZAZ637-D
Sunshield	optional
Safety hook	supported

Dimension



Bracket for Wall or Ceiling

ZAZ637-B wall bracket



ZAZ637-D ceiling mounted bracket (optional)

The ZANXG Explosion Proof Cable tube



Connector Material	Carbon Steel or Stainless steel 304 or 316L
Connector size	G3/4
Certificate Mark	Ex e IIC Gb
IP	IP68
Ambient temperature	-25 to +60°C
Air pressure	80Kpa to 106Kpa
Relative Humidity	≅95% (no condensation)
Length	1m, 1.5m, 2m

