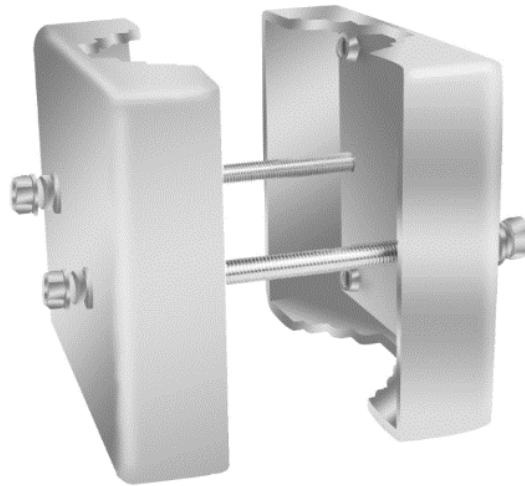


## ZAZ100-PMB Pole mount adapter



### Description:

This is a stainless-steel CCTV bracket, which is designed for the pole mount of several kinds of explosion proof cameras from ZUOAN. It's a pretty good accessory when you have to fix the camera to a pole and let it have the specific monitoring angle. (Applicable Product Model: ZAF100, ZAF1032, ZAF105, ZAF106, CZ100, CZ1035, CZ109)

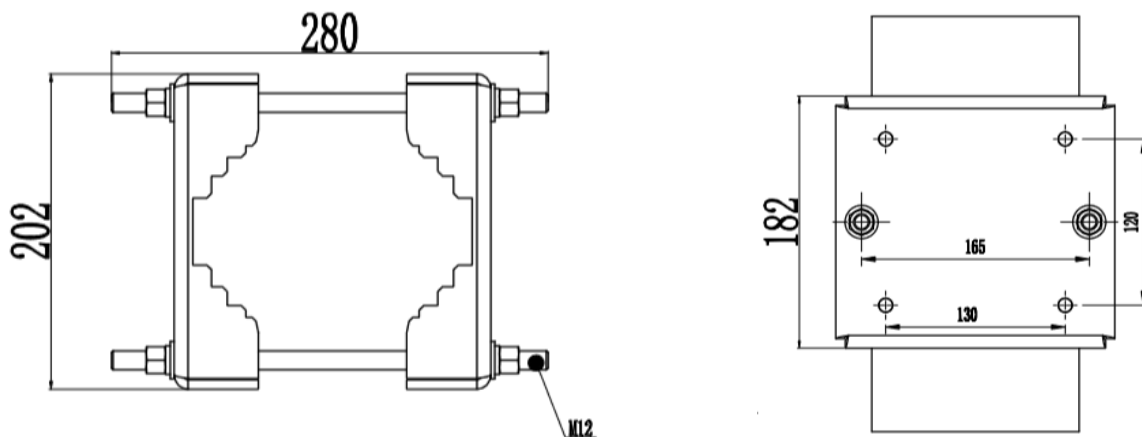
### Main features

- Material: Stainless steel 304 or 316L
- Maximum Loading: 100Kg
- Indoor and outdoor installation
- Easy to install and maintain

## General:

Material	Stainless steel 304 or 316L
Flexible Joint	Yes
Max Loading	100kg
Net Weight	6.6kg
Gross Weight	7.1kg
Overall dimension	280*182*202mm

## Dimension



ZAZ100-PMB pole mounted bracket