

ZAFC106-S-F, ZAFC106-S-S

Air/ Water Cooling

Explosion Proof Camera Housing



ZAFC106-S-F



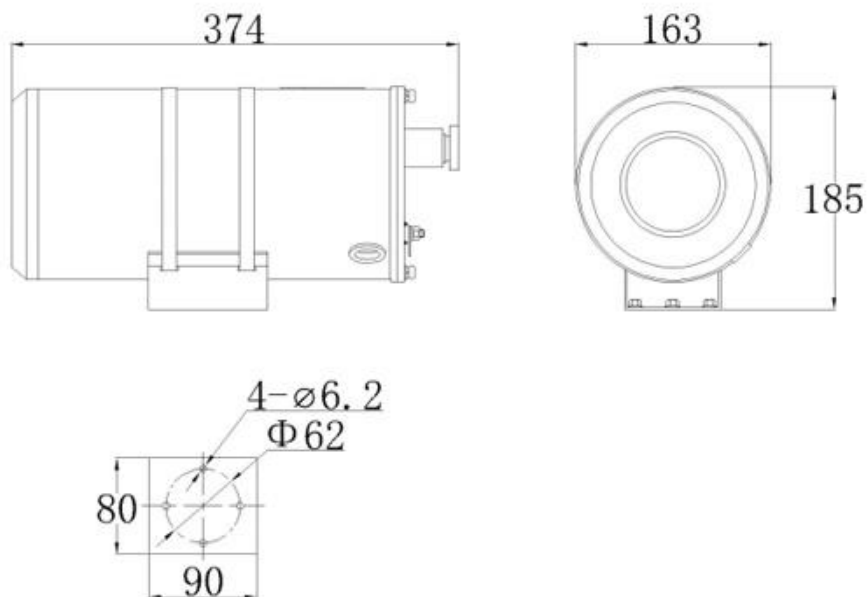
ZAFC106-S-S

Certificate

Certificate Mark	Exd IIC T5 Gb/Ex tD A21 IP68 T95°C
Certificate No	CNEx19.0668
Standards	Q/320412ZAF015-2018

Mechanical	
Housing	Stainless steel 304 or 316L
IP	IP68
Cable thread hole	2pcs G3/4 or NPT3/4
Electrical	
Voltage	AC85V ~ AC265V or DC24V or AC24V
Power	15W
Ambient	
Ambient temperature	Air cooling -25 to +150°C , water cooling 0 to +250°C
Water cooling media	Water Flow: 0.3m³/h, ≤35°C, pressure 0.1-0.2MPa
Air cooling media	Air Flow: 0.3-0.6m³/min, ≤35°C, pressure 0.1-0.2 MPa
Ambient pressure	80Kpa to 106Kpa
Relative Humidity	≅95% (no condensation)
General	
Size	374*163*185mm
Housing inner size	260*75*75mm
Weight	9.1kg
Mounted	wall, pole
Wall bracket	ZAZ100B

Dimension



ZAZ100B Wall Bracket



General

Material	Stainless steel 304 or 316L
Flexible Joint	Yes
Max Loading	100kg
Net Weight	2.5kg
Fit	ZAFC106

Dimension

