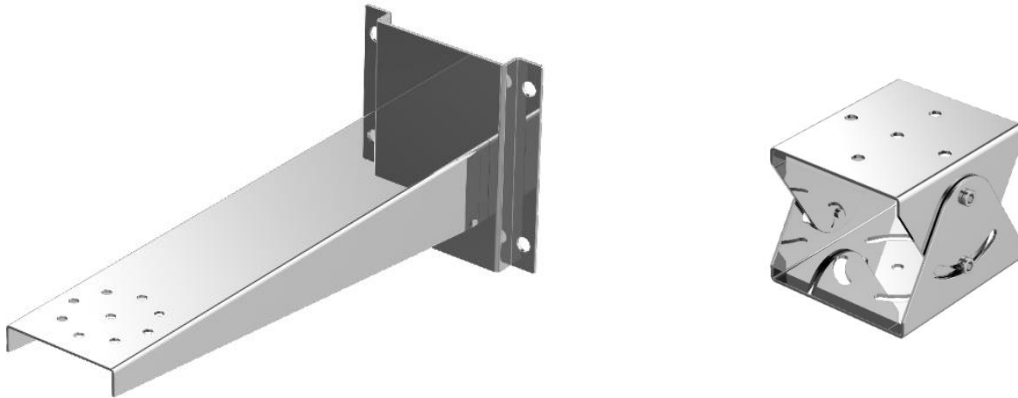


ZAZ100B Wall Bracket (with mount adaptor ZAZ100W)



Description:

This is a set of stainless-steel CCTV brackets, which is designed for the wall mount of several kinds of explosion proof cameras from ZUOAN. ZAZ100W is a mount adapter for ZAZ100B CCTV Wall Bracket. They are pretty good accessories when you have to put the camera on the wall and let it have the specific monitoring angle. (Applicable Product Model: ZAF100, ZAF1032, ZAF105, ZAF106, CZ100, CZ1035, CZ109)

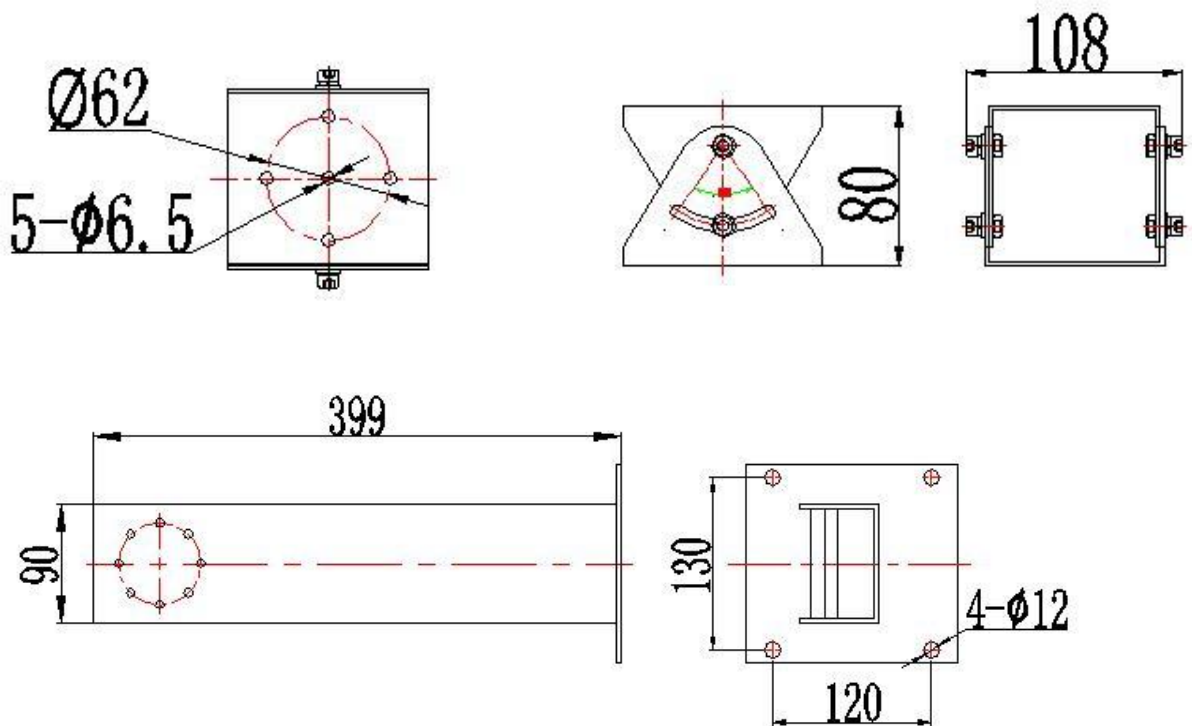
Main features

- Material: Stainless steel 304 or 316L
- Maximum Loading: 100Kg
- Indoor and outdoor installation
- Easy to install and maintain

General:

Material	Stainless steel 304 or 316L	
Flexible Joint	Yes	
Max Loading	100kg	
Net Weight	1.5kg (ZAZ100B)	0.6kg(ZAZ100W)
Gross Weight	1.7kg (ZAZ100B)	0.8kg(ZAZ100W)
Overall dimension	399*150*160mm	100*108*80mm

Dimension



Changzhou Zuoan Electronics Co., Ltd.
 Peace village, Zhenglu Town, Tianning District, Changzhou, Jiangsu, P.R. China
 Web: en.zaex.com.cn zuoan818@zaex.com.cn
 Tel: 0519-88962115-873 Fax: 0519-88968180

