

CZ6404 Series 4 MP 4x PTZ Explosion Proof Mini Dome Camera



Description

The ATEX & IECEx certified CZ6404 are ZUOAN designed classic explosion-proof corrosion-proof camera, which can load various camera. This product has obtained group II explosion-proof level certification and temperature level certification, applicable for Zone 1 and Zone 2 hazardous areas that explosive mixture of group IIA, IIB, IIC, T1~T6 gases, vapors and air may exists, Zone 21 and Zone 22 hazardous areas that explosive dust may exist. For example: refine, oil extraction, gas extraction, chemical, petrol station and other environment.

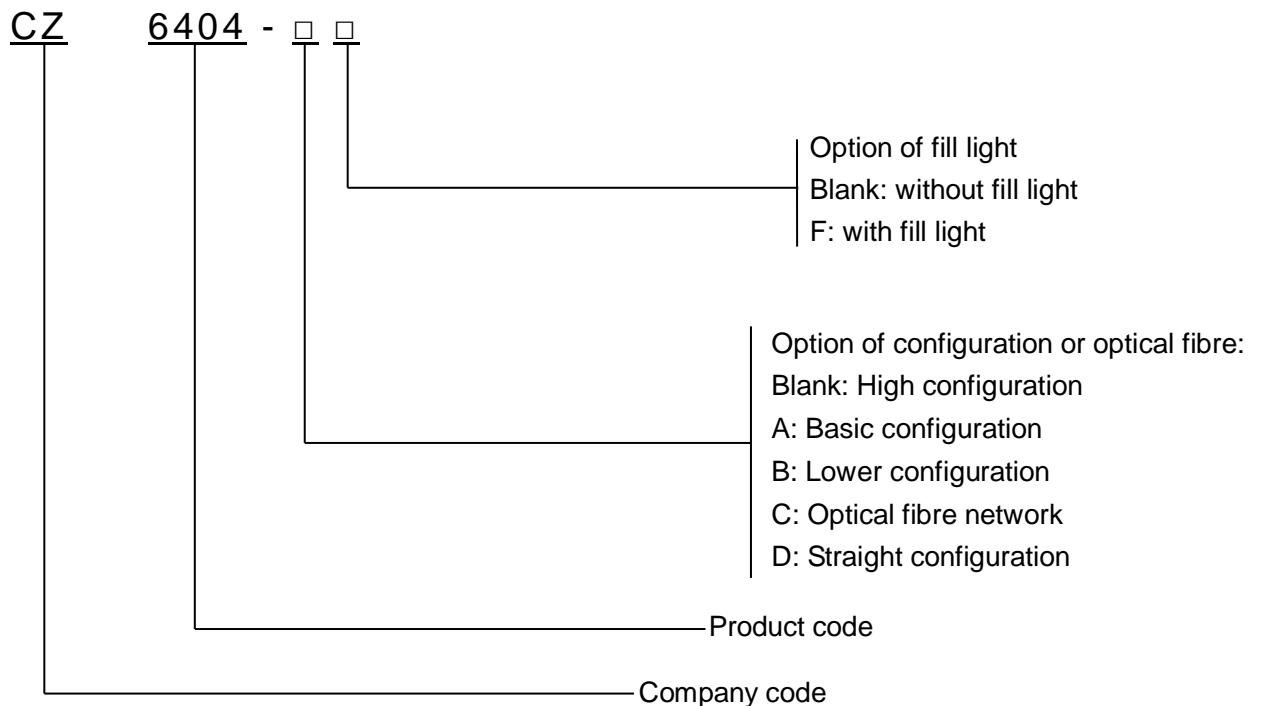
Changzhou Zuoan Electronics Co., Ltd.
 Peace village, Zhenglu Town, Tianning District, Changzhou, Jiangsu, P.R. China
 Web: en.zaex.com.cn zuoan818@zaex.com.cn
 Tel: 0519-88962115-873 Fax: 0519-88968180



Main Features:

- ATEX, IECEx certified
- Application: gas zone 1, zone 2; dust zone 21, 22.
- Exd II CT6 Gb/ Ex tD A21 IP68 T80°C
- Stainless steel 304 or 316L
- Optional electropolished or corrosion resistant paint finish
- Enclosure Protection: IP66, IP68 (2m, 2h)
- Power input: DC12V/1.5A or POE power supply
- 1/3" 4Megapixel CMOS
- Powerful 4x optical zoom
- Max. 25/30fps@4M/3M
- ROI, H.264+/H.265+
- WDR, Day/Night(ICR), Ultra DNR
- Intelligent detection: Intrusion, tripwire

CZ6404-□□□ EXPLOSION PROOF FIXED CAMERA



Specification:

Changzhou Zuoa Electronics Co., Ltd.
Peace village, Zhenglu Town, Tianning District, Changzhou, Jiangsu, P.R. China
Web: en.zaex.com.cn zuoan818@zaex.com.cn
Tel: 0519-88962115-873 Fax: 0519-88968180



Camera	
Image Sensor	1/3" CMOS
Effective Pixels	2592(H) x 1520(V), 4 Megapixels
RAM/ROM	256M/128M
Electronic Shutter Speed	1/1s~1/30,000s
Scanning System	Progressive
Minimum Illumination	Color: 0.05Lux@F1.6; B/W: 0.005Lux@F1.6
S/N Ratio	More than 50dB
IR Distance	N/A
IR On/Off Control	N/A
IR LEDs	N/A

Lens	
Focal Length	2.7mm~11mm
Max. Aperture	F1.6 ~ F2.8
Angle of View	H: 112.5° ~ 30°
Optical Zoom	4x
Focus Control	Auto/Manual
Close Focus Distance	100mm~ 1000mm

DORI Distance

*Note: The DORI distance is a "general proximity" of distance which makes it easy to pinpoint the right camera for your needs. The DORI distance is calculated based on sensor specification and lab test result according to EN 62676-4 which defines the criteria for Detect, Observe, Recognize and Identify respectively.

Detect	Observe	Recognize	Identify
180m(591ft)	72m(236ft)	36m(118ft)	18m(59ft)

PTZ

Pan/Tilt Range	Pan: 0° ~ 355°; Tilt: 0° ~ 90°
Manual Control Speed	Pan: 0.1° ~100° /s; Tilt: 0.1° ~60° /s
Preset Speed	Pan: 100° /s; Tilt: 60° /s
Presets	300
PTZ Mode	5 Pattern, 8 Tour, Auto Pan ,Auto Scan
Speed Setup	Human-oriented focal Length/ speed adaptation
Power up Action	Auto restore to previous PTZ and lens status after power failure





Changzhou Zuoan Electronics Co., Ltd.
 Peace village, Zhenglu Town, Tianning District, Changzhou, Jiangsu, P.R. China
 Web: en.zaex.com.cn zuoan818@zaex.com.cn
 Tel: 0519-88962115-873 Fax: 0519-88968180



Idle Motion	Activate Preset/ Scan/ Tour/ Pattern if there is no command in the specified period
Protocol	DH-SD
Intelligence	
Event Trigger	Motion detection, Video tampering, Network disconnection, IP address conflict, Illegal access, Storage anomaly
Auto Tracking	N/A
IVS	Tripwire, Intrusion, Abandoned/Missing
Advanced Intelligent Functions	Face Detection
Video	
Compression	H.265/H.264
Streaming Capability	3 Streams
Resolution	4M(2592×1520)/3M(2304×1296)/1080P(1920×1080)/720P(1280×720)/D1(704×576/704×480)/CIF(352×288/352×240)
Frame Rate	Main stream: 4M/3M/1080P/1.3M/720P (1~25/30fps) Sub stream1: D1/CIF(1 ~ 25/30fps) Sub stream2: 720P/D1/CIF (1~25/30fps)
Bit Rate Control	CBR/VBR
Bit Rate	H.265/H.264: 448K ~ 8192Kbps
Day/Night	Auto(ICR) / Color / B/W
Backlight Compensation	BLC / HLC / WDR (120dB)
White Balance	Auto, ATW, Indoor, Outdoor, Manual
Gain Control	Auto / Manual
Noise Reduction	Ultra DNR (2D/3D)
Motion Detetion	Support
Region of Interest	Support
Electronic Image Stabilization (EIS)	N/A
Defog	Support
Digital Zoom	16x
Flip	180°
Privacy Masking	Up to 24 areas
Network	
Ethernet	RJ-45 (10XBase-T/100Base-TX)
Wi-Fi	N/A

Changzhou Zuoan Electronics Co., Ltd.
Peace village, Zhenglu Town, Tianning District, Changzhou, Jiangsu, P.R. China
Web: en.zaex.com.cn zuoan818@zaex.com.cn
Tel: 0519-88962115-873 Fax: 0519-88968180



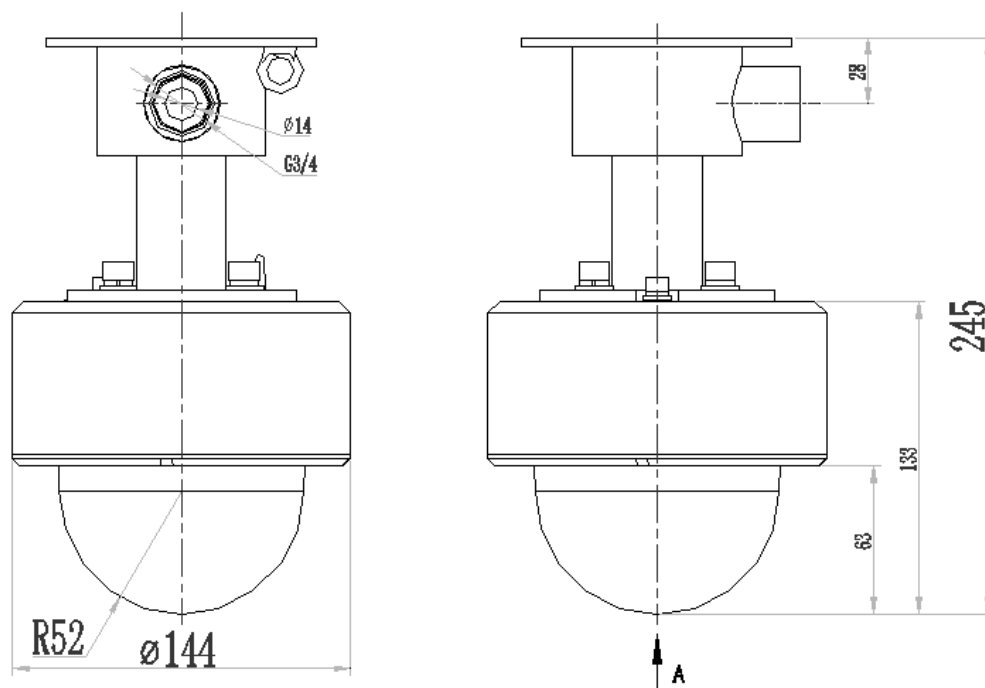
Protocol	IPv4/IPv6, HTTP, HTTPS, SSL, TCP/IP, UDP, UPnP, ICMP, IGMP, SNMP, RTSP, RTP, SMTP, NTP, DHCP, DNS, PPPOE, DDNS, FTP, IP Filter, QoS, Bonjour, 802.1x
Interoperability	ONVIF Profile S&G, API
Streaming Method	Unicast / Multicast
Max. User Access	20 users
Edge Storage	NAS (Network Attached Storage), Local PC for instant recording, Micro SD card 256GB
Web Viewer	IE, Chrome, Firefox, Safari
Management Software	Smart PSS, DSS, DMSS
Smart Phone	IOS, Android
Certifications	
Certifications	ATEX, IECEx certified
Explosion proof certification	DNV 21 ATEX 24764X IECEx DNV 21.0047X
ATEX Explosion proof marking	Without optical fibre  II 2 G Ex db IIC T6 Gb  II 2 D Ex tb IIIC T80°C Db With optical fibre  II 2 G Ex db op pr IIC T6 Gb  II 2 D Ex tb op pr IIIC T80°C Db
IECEx Explosion proof marking	With optical fibre: Ex db op pr IIC T6 Gb Ex tb op pr IIIC T80°C Db Without optical fibre: Ex db IIC T6 Gb Ex tb IIIC T80°C Db
Interface	
Video Interface	N/A
RS485	N/A
Audio I/O	N/A
Alarm I/O	N/A
Electrical	
Power Supply	DC 12V/1.5A, PoE(802.3af)
Power Consumption	10W
Environmental	
Operating Conditions	-40°C ~ 60°C (-40°F ~ +140°F) / Less than 95% RH

Changzhou Zuoan Electronics Co., Ltd.
Peace village, Zhenglu Town, Tianning District, Changzhou, Jiangsu, P.R. China
Web: en.zaex.com.cn zuoan818@zaex.com.cn
Tel: 0519-88962115-873 Fax: 0519-88968180



Storage Temperature	-40°C ~ +60°C (-40°F to +140°F)
Ingress Protection	IP66, IP68 (2m, 2h)
Construction	
Casing	Stainless steel 304 or 316L Optional with corrosion proof painting
Dimensions	Φ144 (mm) x 245 (mm) (include ceiling mount)
Net Weight	6.4kg with ceiling mount bracket
Gross Weight	6.5kg with ceiling mount bracket

Drawings



Changzhou Zuoran Electronics Co., Ltd.
Peace village, Zhenglu Town, Tianning District, Changzhou, Jiangsu, P.R. China
Web: en.zaex.com.cn zuoran818@zaex.com.cn
Tel: 0519-88962115-873 Fax: 0519-88968180

