

CZ109 4MP AI IR Vari-focal lens Explosion Proof Corrosion Proof Camera



IP66 IP68 IP69

Application Scenarios

The ATEX & IECEX certified CZ109 are ZUOAN designed classic explosion-proof corrosion-proof camera, which can load various camera. This product has obtained group II explosion-proof level certification and temperature level certification, applicable for Zone 1 and Zone 2 hazardous areas that explosive mixture of group IIA, IIB, IIC, T1~T6 gases, vapors and air may exists, Zone 21 and Zone 22 hazardous areas that explosive dust may exist. For example: refine, oil extraction, gas extraction, chemical, petrol station and other environment.

Changzhou Zuoan Electronics Co., Ltd.
Peace village, Zhenglu Town, Tianning District, Changzhou, Jiangsu, P.R. China
Web: en.zaex.com.cn zuonan818@zaex.com.cn
Tel: 0519-88962115-873 Fax: 0519-88968180



Main Features:

- ATEX, IECEx certified
- Application: Gas zone 1 and zone 2; Dust zone 21 and zone 22
- Ex db IIC T6 Gb/ Ex tb IIIC T80°C Db
- Stainless steel 304/316L
- Optional electropolished or corrosion resistant paint finish
- Enclosure Protection: IP66 IP68 (2m 2h) IP69
- Motorized vari-focal lens 2.8 ~ 12mm
- 4MP, 1/3" CMOS image sensor
- Outputs max. 4MP (2688 X 1520)@30 fps
- ROI, SMART H.264+/H.265+, flexible coding, applicable to various bandwidth and storage environments
 - Rotation mode, WDR, 3D DNR, HLC, BLC, digital watermarking, applicable to various monitoring scenes
 - Abnormality detection: Motion detection, video tampering, scene changing, audio abnormality detection
 - Intelligent detection: Intrusion, tripwire
- 12V DC/POE power support
- Smart IR, up to 60m (164ft) IR distance
- Supports max. 256 G Micro SD card

Specification:

Camera	
Image Sensor	1/3" 4Megapixel progressive CMOS
Effective Pixels	2688 (H) x1520 (V)
ROM	128 MB
RAM	512 MB
Scanning System	Progressive
Electronic Shutter Speed	Auto/Manual 1/3 s~1/100000 s
Min. Illumination	0.005 Lux@F1.5
IR Distance	60 m (197 ft)
IR On/Off Control	Auto/Manual
IR LEDs Number	4 (IR LEDs)
Lens	
Lens Type	Motorized vari-focal
Mount Type	φ14
Focal Length	2.7 mm~13.5 mm
Max. Aperture	F1.5

Changzhou Zuoan Electronics Co., Ltd.

Peace village, Zhenglu Town, Tianning District, Changzhou, Jiangsu, P.R. China

Web: en.zaex.com.cn zuoan818@zaex.com.cn

Tel: 0519-88962115-873 Fax: 0519-88968180



Field of View	Horizontal: 104°–27° Vertical: 55° –15° Diagonal: 124° –31°				
Iris Type	Fixed aperture				
Close Focus Distance	0.8 m (2.6 ft)				
DORI Distance	Lens	Detect	Observe	Recognize	Identify
	W	64.0 m (210.0ft)	25.6 m (84.0 ft)	12.8 m (42.0 ft)	6.4 m (21.0 ft)
	T	222.0 m (728.3 ft)	88.8m (291.3 ft)	44.4 m (145.7 ft)	22.2 m (72.8 ft)

Professional, Intelligent

Perimeter Protection	Tripwire; intrusion (Recognition of human and vehicle)
Intelligent Search	Work together with Smart NVR to perform refine intelligent search, event extraction and merging to event videos

Video

Video Compression	H.265; H.264; H.264H; H.264B; MJPEG
Smart Codec	Yes
Video Frame Rate	Main stream (2688 × 1520@1–25/30 fps) sub stream (704 × 576@1–25 fps/704 × 480@1–30 fps) third stream (1280 × 720@1–25/30 fps)
Stream Capability	3 streams
Resolution	4M (2688 × 1520); 3M (2304 × 1296); 1080p (1920 × 1080); 1.3M (1280 × 960); 720p (1280 × 720); D1 (704 × 576/704 × 480); VGA (640 × 480); CIF (352 × 288/352 × 240)
Bit Rate Control	CBR/VBR
Video Bit Rate	H.264: 3 Kbps–8192 Kbps H.265: 3 Kbps–8192 Kbps
Day/Night	Auto(ICR)/Color/B/W
BLC	Yes
HLC	Yes
WDR	120 dB
White Balance	Auto/natural/street lamp/outdoor/manual/regional custom
Gain Control	Auto/Manual
Noise Reduction	3D DNR
Motion Detection	OFF/ON (4 areas, rectangular)
Region of Interest(Rol)	Yes (4 areas)
Smart IR	Yes
Image Rotation	0°/90°/180°/270° (Support 90°/270° with 1920 × 1080)



Changzhou Zuoan Electronics Co., Ltd.

Peace village, Zhenglu Town, Tianning District, Changzhou, Jiangsu, P.R. China

Web: en.zaex.com.cn zuoan818@zaex.com.cn

Tel: 0519-88962115-873 Fax: 0519-88968180



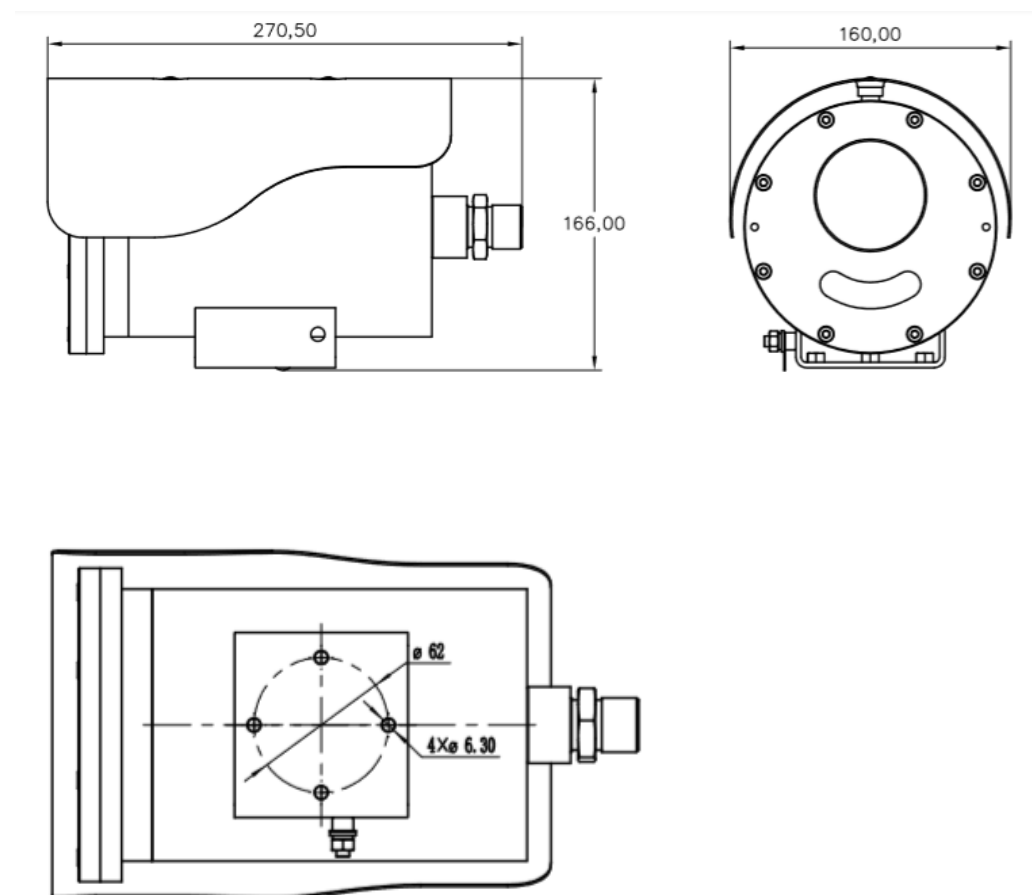
	resolution.)
Mirror	Yes
Privacy Masking	4 areas
Optional Audio	
Audio Compression	G.711a; G.711Mu; G726; AAC
Network	
Network	RJ-45 (10/100 Base-T)
Protocol	IPv4;IPv6;HTTP;HTTPS;TCP;UDP;ARP;RTP;RTSP;RTCP;RTMP;SMTP;FTP;SFTP;DHCP;DNS;DDNS;QoS;UPnP;NTP; Multicast;ICMP;IGMP;NFS;PPPoE;802.1x;SNMP
Interoperability	ONVIF(Profile S/Profile G);CGI;P2P;Milestone;Genetec
Scene Self-adahptation	Yes
User/Host	20 (Total bandwidth: 64 M)
Edge Storage	FTP; SFTP; Micro SD Card (support max. 256 G); Dahua Cloud; NAS
Browser	IE: IE8, IE9, IE11 Chrome Firefox
Management Software	Smart PSS, DSS, DMSS
Mobile Phone	IOS; Android
Certification	
Certifications	ATEX, IECEx certified
Explosion proof certification	DNV 22 ATEX 51565X IECEX DNV 22.0097X
ATEX Explosion proof marking	 II2 G Ex db IIC T6 Gb  II2 D Ex tb IIIC T80°C Db
IECEX Explosion proof marking	Ex db IIC T6 Gb/Ex tb IIIC T80°C Db
Optional Port	
Audio Input	1-channel (RCA port)
Audio Output	1-channel (RCA port)
Alarm Input	1 channel in: 5mA 3V–5V DC
Alarm Output	1 channel out: 300mA 12V DC
Power	
Power Supply	12V DC/PoE (802.3af)
Power Consumption	<9.8W
Environment	
Operating Conditions	-40°C to +60°C (-40°F to +140°F), Humidity: ≤95% RH (non-condensing)

Changzhou Zuoan Electronics Co., Ltd.
Peace village, Zhenglu Town, Tianning District, Changzhou, Jiangsu, P.R. China
Web: en.zaex.com.cn zuoan818@zaex.com.cn
Tel: 0519-88962115-873 Fax: 0519-88968180

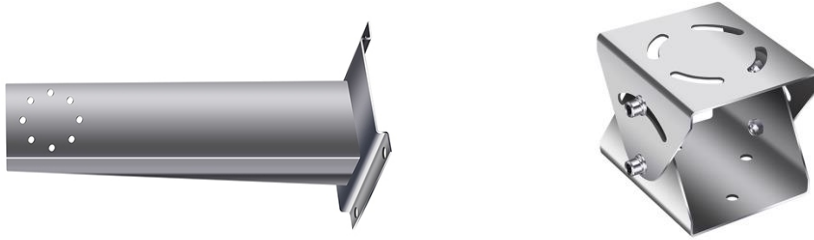


Storage Conditions	-40°C to +60°C (-40°F to +140°F), Humidity: ≤95% RH (non-condensing)
Ingress Protection	IP66, IP68 (2m 2h), IP69
Structure	
Casing	Stainless Steel 304/316L
Dimensions (L × W × H)	270.50mm × 166.00mm × 160.00mm (10.6" × 6.5" × 6.3")
Pigtail Cable	2meters standard combined cable (power+UTP)
Net Weight	5.6 kg (12.34 lb)
Gross Weight	6.5 kg (14.33 lb)
Bracket	ZAZ100B Wall bracket with adaptor

Drawings



ZAZ100B Wall bracket with adaptor



General

Material	Stainless steel 304 or 316L
Max Loading	20kg
Gross Weight	2.5kg

Dimension

