

## CZ109 4MP 4x Zoom Explosion Proof Corrosion Proof Camera with Light



**IP66 IP68 IP69**

### Application Scenarios

The ATEX & IECEX certified CZ109 are ZUOAN designed classic explosion-proof corrosion-proof camera, which can load various camera. This product has obtained group II explosion-proof level certification and temperature level certification, applicable for Zone 1 and Zone 2 hazardous areas that explosive mixture of group IIA, IIB, IIC, T1~T6 gases, vapors and air may exists, Zone 21 and Zone 22 hazardous areas that explosive dust may exist. For example: refine, oil extraction, gas extraction, chemical, petrol station and other environment.



Changzhou Zuoan Electronics Co., Ltd.  
Peace village, Zhenglu Town, Tianning District, Changzhou, Jiangsu, P.R. China  
Web: en.zaex.com.cn  
zuonan818@zaex.com.cn  
Tel: 0519-88962115-873 Fax: 0519-88968180

## Main Features:

- ATEX, IECEx certified
- Application: Gas zone 1 and zone 2; Dust zone 21 and zone 22
- Ex db IIC T6 Gb/ Ex tb IIIC T80°C Db
- Stainless steel 304/316L
- Optional electropolished or corrosion resistant paint finish
- Enclosure Protection: IP66 IP68 (2m 2h) IP69
- 4MP, Max. 2560 X 1440 resolution
- 1/1.8" progressive scan, CMOS image sensor
- 4x optical zoom; focal length 2.8 mm to 12 mm
- Power input: AC100-240V, AC24V, PoE, DC12V (choose one option)
- 3D DNR, low bit rate, digital WDR
- Zoom speed: 1.7 s
- IR cut filter with auto switch
- H.264+, H.265
- Small size and low power consumption

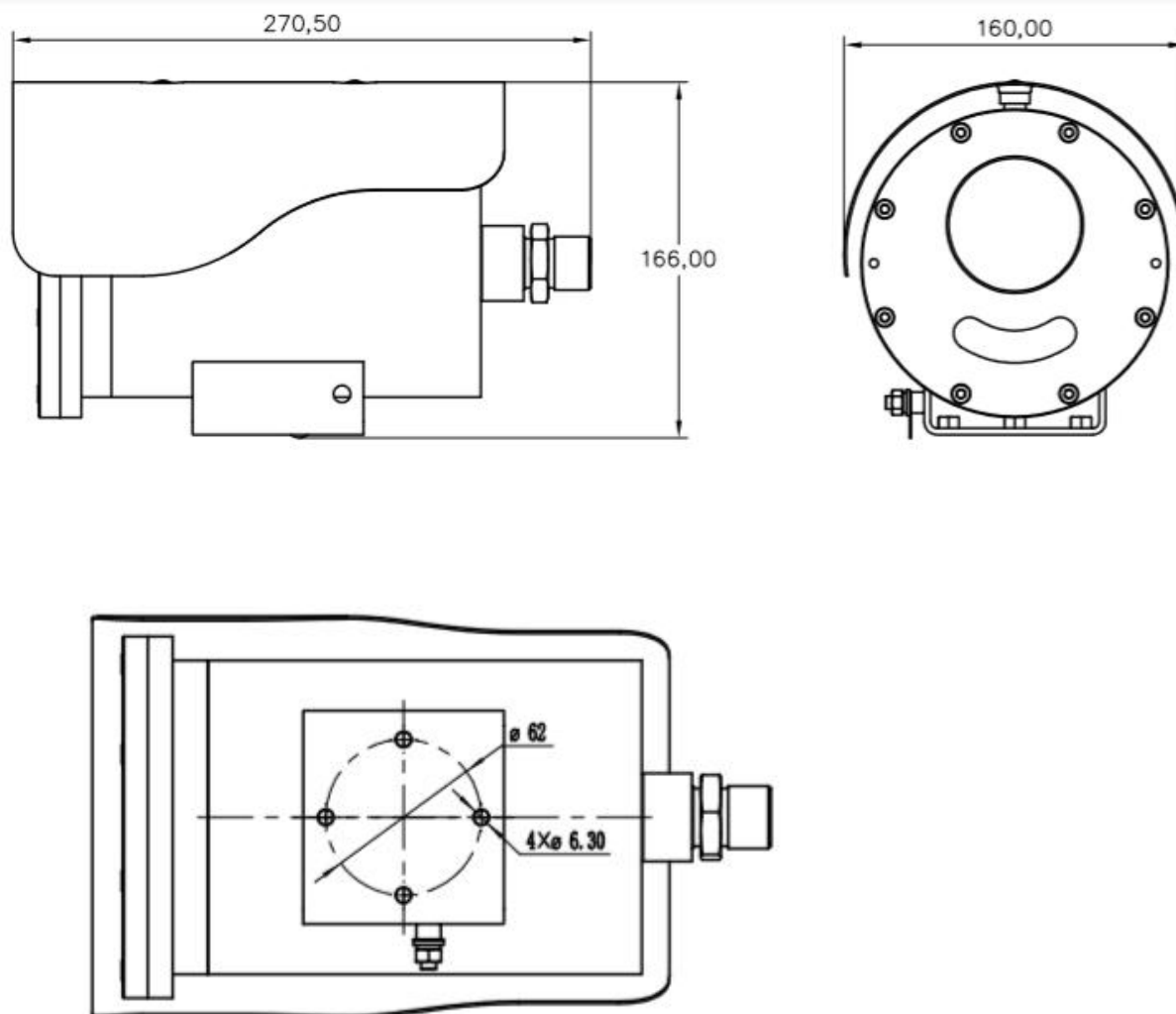
## Specification:

Camera Module	
Image Sensor	1/1.8" progressive scan CMOS
Min. Illumination	color: 0.005Lux @ (F1.6, AGC ON); B/W: 0.0005Lux @(F1.6, AGC ON)
Resolution and Frame Rate	main stream: 50Hz: 25fps (2560×1440, 1920×1080, 1280×960, 1280×720); 60Hz: 30fps (2560×1440, 1920×1080, 1280×960, 1280×720); sub-stream: 50Hz: 25fps (704×576, 640×480, 352×288); 60Hz: 30fps (704×480, 640×480, 352×240)
Video Compression	H.264, H.265
Optional Audio Compression	G.722.1, G.711-a law, G.711-u law, MP2L2, G.726, PCM
White Balance	manual, auto 1, auto 2, sodium lamp, indoor, outdoor, fluorescent lamp
Gain Control	auto, manual
SNR	> 52dB
3D DNR	yes
BLC	yes
Regional Focus	yes
Shutter	1/1s to 1/30,000s
Day & Night	Auto/Color/BW/Scheduled-Switch/Triggered by Alarm Input

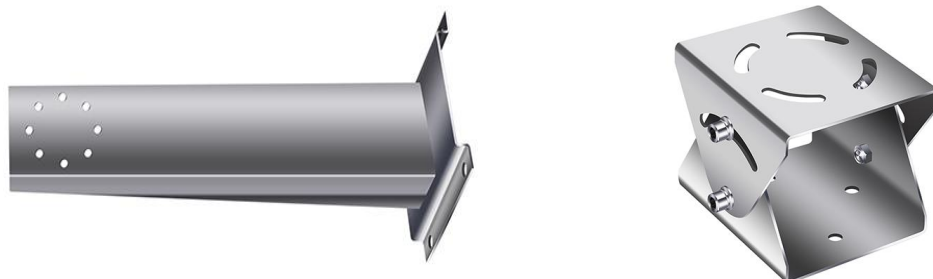
Digital Zoom	12×
Focus	auto, semi-auto, manual
Regional Exposure	yes
Video Bit Rate	32Kbps to 16Mbps
Heartbeat	yes
Exposure Mode	auto, iris priority, shutter priority, manual
Day/Night Switch	IR Cut Filter
<b>Lens</b>	
Focal Length	2.8 mm to 12 mm, 4× optical
Zoom Speed	approx. 1.7 s (optical, wide-tele)
Horizontal FOV	107.4° to 39.8° (wide-tele)
Aperture	F1.6 to F2.7
<b>Function</b>	
Image Enhancement	WDR, HLC
Smart Encoding	low bit rate, ROI
Exception Detection	illegal login
Power-off Memory	yes
Smart Detection	motion detection, video tampering detection, audio exception detection, intrusion detection, line crossing detection
<b>Network</b>	
Protocols	IPv4/IPv6, HTTP, HTTPS, 802.1x, Qos, FTP, SMTP, UPnP, DNS, DDNS, NTP, RTSP, RTCP, RTP, TCP/IP, DHCP, Bonjour
API	open-ended, support ONVIF and ISAPI, support HIKVISION SDK and third-party management platform
Web Browser	IE 8 to 11, Chrome 31.0+, Firefox 30.0+, Safari 11+
Simultaneous Live View	up to 20 channels
User	up to 32 users; 3 levels: administrator, operator, and user
Security Measures	user authentication (ID and PW); host authentication (MAC address); HTTPS encryption; IEEE 802.1x port-based network access control
<b>Certification</b>	
Certification	ATEX, IECEx certified
Explosion proof certification	DNV 22 ATEX 51565X IECEX DNV 22.0097X
ATEX Explosion proof marking	 II 2 G Ex db IIC T6 Gb  II 2 D Ex tb IIIC T80°C Db
IECEX Explosion proof marking	Ex db IIC T6 Gb/Ex tb IIIC T80°C Db
<b>Interface</b>	

Power Interface	AC100-240V, AC24V, PoE, DC12V (choose one option)
Communication Interface	10 M/100 M Ethernet interface
Optional Audio I/O	1-ch audio input and 1-ch audio output
Optional Alarm I/O	1-ch alarm input and 1-ch alarm output
RS-485	yes
On-board Storage	yes (no on-board Micro SD card socket)
<b>Environment</b>	
Ambient Temperature	-40 °C to +60 °C (-40 °F to +140 °F)
Operating Humidity	≤ 95%
Protection	IP66 IP68 (2m 2h) IP69
<b>General</b>	
Power Consumption	static: 2.5W; dynamic: 4.5W
Dimensions	270.50 mm X 166.00 mm X 160.00 mm (L x W x H)
Gross Weight	6.5 kg (14.33 lb)
Net Weight	5.6 kg (12.34 lb)
Cable thread hole	1set M25*1.5 (standard), G3/4 or M27*1.25
Casing	Stainless steel 304/316L
Bracket	ZAZ100B Wall bracket with adaptor

## Drawings



### ZAZ100B Wall bracket with adaptor



#### General

Material	Stainless steel 304 or 316L
Max Loading	20kg
Gross Weight	2.5kg

#### Dimension

