

ZAT660

Explosion Proof PTZ Camera



ZUOAN

Certificate

Certificate Mark	Exd II C T6 GB/DIP A20 TA, T6
Certificate No	CNEx13.3114
Standards	Q/320412 ZAF046-2013

Mechanical

Housing	Stainless steel 304 or 316L
IP	IP68
Cable thread hole	1pcs G3/4 or NPT3/4
Wiper	yes

Electrical

Voltage	AC85V~AC265V or DC24V or AC24V
Power	50W /70W (with thermostat)
Optional surge protector	TVS 6000V
Optional within fiber optical cable	Multimode, or signal mode

Ambient

Ambient temperature	-25 to +60°C
Air pressure	80Kpa to 106Kpa
Relative Humidity	≦95% (no condensation)

Assistant

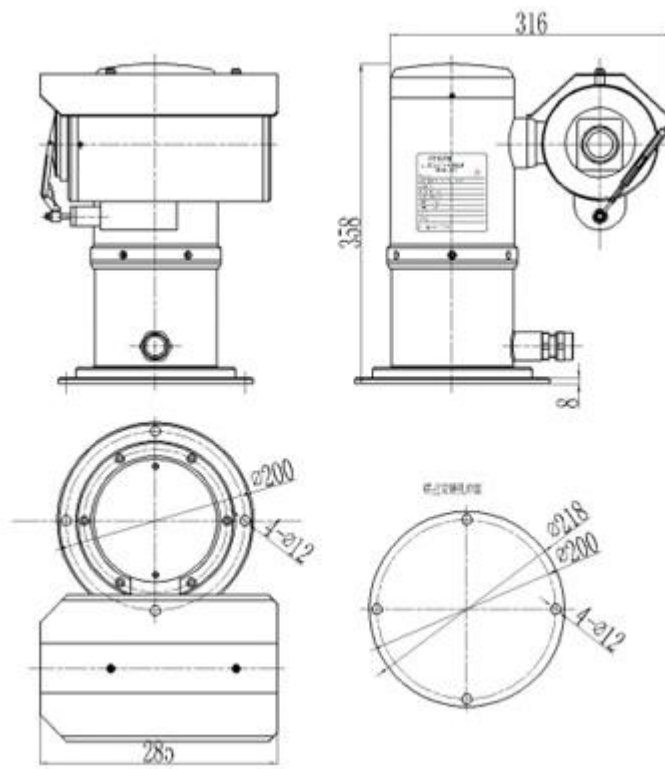
Communication	support analog video output
485 Communication	Support Pelco-D, Pelco-P
Communicate Rate	2400 to 19200bps

Pan & Tilt

Horizontal	360°
Horizontal speed	0.1-45°/s
Vertical	-90 to +90°
Cruise Scan	Support
Keep watch	Support
Preset	64/128/255/300
Resume function	Support
Auto Cruise	Support

Auto Scan	Support
Alarm	
Alarm Input	2-channel/ 7-channel
Alarm Output	1-channel, action with alarm
Intelligent Alarm	Audio detective, move detective, video shield, network inte
Audio	
Audio Input	Audio input (LINE input, MIC input), audio peak:2-2.4Vp-p,
Audio Output	Line-level impedance 600Ω
Network	
Network Interface	1pcs of RJ45, support 10M/100M/1000M
Video Compression	H.264 main profile / MJPEG
Audio Compression	G.722.1/ G.711-a law/ G7.11-u law/MP2L2/G.726
Voice Intercom	Support
Stream	Support three streams
Internet Protocol	IPv4/IPv6,HTTP,HTTPS,802.1x,Qos,FTP,SMTP,UPnP,SNMP
Time Display	Support
Standard	ONVIF, CGI, GB/T28181, PISA
IE browser	Support IE7 or above, Google, Firefox, Apple
Security	Password protection, Multiple access control
Camera	
Image Sensor	1/2.8" interline-transfer CCD
Effective pixel	1.3MP, 2MP, 3MP
Min. Illumination	Color 0.05Lux B/W: 0.01Lux
Day&night	Auto/ Color/ BW
S/N ratio	>52dB (AGC off)
Gain	off/ lower/ higher
White Balance	Auto/ Manual/ Auto tracking white balance/ indoor/outdoor/
3D DNR	Support
BLC	ON/OFF
Image setting	Mirror, Saturation, Brightness, Contrast, Sharpness adjusta
Optical zoom	20X / 30X
General	
Cable	integrated cable
Size	312*238*350mm
Weight	23kg
Mounted	wall, pole
Wall bracket	ZAZ660B

Dimension



ESU