

KBA12 Series Coal Mining Explosion Proof Mini CCTV Camera with light



With sun-shield



without sun-shield

Main Features:

- High quality image with 2MP, 1/2.7"CMOS sensor
- 304/316L Stainless steel construction
- 2MP (1920*1080)@30/25fps; 720P (1280*720)@30/25fps
- Ultra 265, H.265, H.264, MJPEG
- 120dB true WDR technology enables clear image in strong light scene
- Ingress protection: IP68 rated
- Explosion proof marking: Ex d I Mb,
 - Voltage Input:12VDC
 - Aux lights for night vision 30m.
 - Camera: 2MP with 2.8mm/4mmlens
 - Supports 128 G Micro SD card
- Fit for coal mining, where there is an explosive mixture of methane and coal dust underground, but no corrosive gas that breaks the insulation.

Specification:

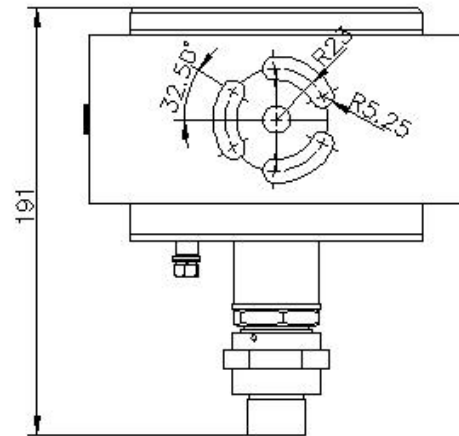
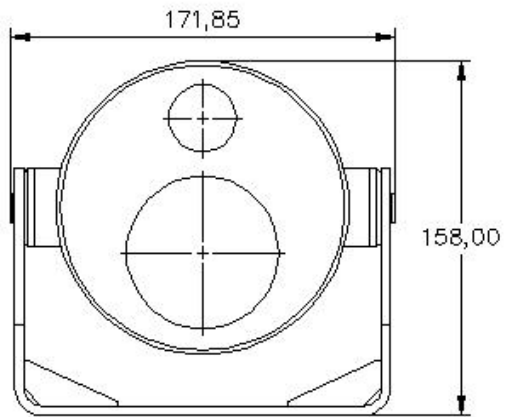
Model	KBA12				
Camera type	2MP				
Atmospheric pressure	80KPa~106Kpa				
Ambient Temperature	0°C~+40°C				
Relative Humidity	≤95% (+25°C)				
Ex-proof mark	Ex d I Mb				
Explosion proof Certified	CCCMT19.0625				
Ingress Protection	IP68				
Housing Material	Stainless Steel 304 or 316L				
Sensor	1/2.7", 2.0 megapixel, progressive scan, CMOS				
Lens	2.8mm@F2.0		4.0mm@F2.0		
DORI Distance	Lens (mm)	Detect (m)	Observe (m)	Recognize (m)	Identify (m)
	2.8	42.0	16.8	8.4	4.2
	4.0	60.0	24.0	12.0	6.0
Angle of View (H)	112.9°		91.2°		
Angle of View (V)	59.1°		47.9°		
Angle of View (O)	121.2°		95.9°		

Adjustment angle	Pan: 0° ~ 360°	Tilt: 0° ~ 80°	Rotate: 0° ~ 360°
Shutter	Auto/Manual, 1 ~ 1/100000s		
Minimum Illumination	Colour: 0.01Lux (F2.0, AGC ON) 0Lux with IR		
Day/Night	IR-cut filter with auto switch (ICR)		
Digital Noise Reduction	2D/3D DNR		
S/N	>52dB		
IR Range	Up to 30m (98ft) IR range		
Wavelength	850nm		
IR On/Off Control	Auto/Manual		
Defog	Digital Defog		
WDR	120dB		
Video			
Video Compression	Ultra 265, H.265, H.264, MJPEG		
H.264 Code Profile	Baseline profile, Main profile, High profile		
Frame Rate	Main Stream: 1080P (1920*1080), Max 30fps; 720P (1280*720), Max 30fps Sub Stream: 720P (1280*720), Max 30fps; D1 (720*576), Max 30fps; 640*360,Max 30fps; 2CIF(704*288), Max 30fps; CIF(352*288), Max 30fps;		
Video Bit Rate	128 Kbps~6144 kbps		
9:16 Corridor Mode	Supported		

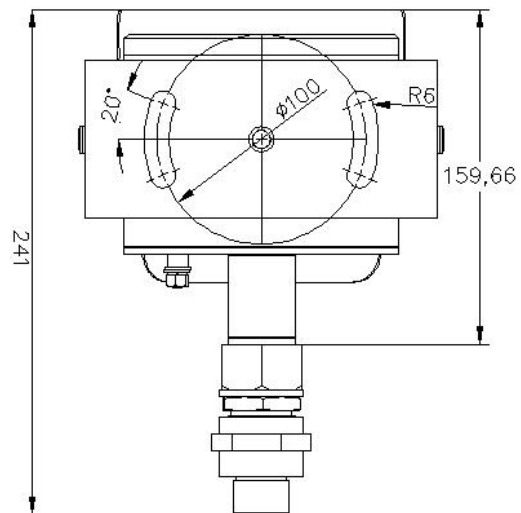
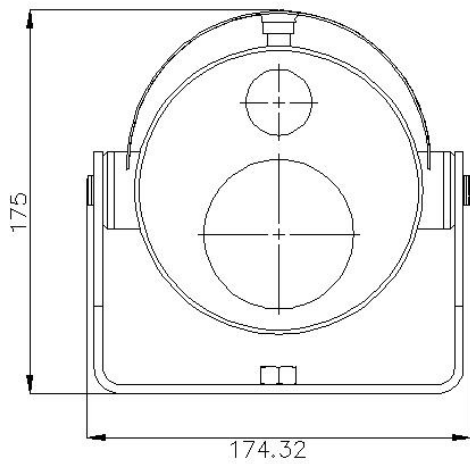
OSD	Up to 4 OSDs
Privacy Mask	Up to 4 areas
ROI	Up to 8 areas
Motion Detection	Up to 4 areas
Image	
White Balance	Auto/Outdoor/Fine Tune/Sodium Lamp/Locked/Auto2
Digital NoiseReduction	2D/3D DNR
Smart IR	Supported
Flip	Normal/Vertical/Horizontal/180°/90°Clockwise/90°Anti-clockwise
Dewarping	N/A
HLC	Supported
BLC	Supported
Network	
Protocols	IPv4, IGMP, ICMP, ARP, TCP, UDP, DHCP, RTP, RTSP, RTCP, RTMP, DNS, DDNS, NTP, FTP, UPnP, HTTP, HTTPS, SMTP, QoS, SSL, SNMP
Compatible Integration	ONVIF (Profile S, Profile G, Profile T), API
Client	EZStation EZView EZLive
Web Browser	Plug-in required live view: IE9+, Chrome 41 and below, Firefox 52 and below
	Plug-in free live view: Chrome 57.0+, Firefox 58.0+, Edge 16+, Safari 11+
Audio	

Audio Compression	G.711
Suppression	Supported
Sampling Rate	8KHZ
Storage	
Edge Storage	Micro SD, up to 128GB
Network Storage	ANR,NAS(NFS)
Interface	
Network	10/100M Base-TX Ethernet
General	
Power	DC 12V±25%, PoE (IEEE 802.3af)
	Power consumption: Max 7.0W
Cable output	Integrated cable, 2m long
Cable gland	1pcs M24*1.5
Overall dimension LxWxH	191*172*158mm 241*172*175mm
Net weight	6 kg (without sun-shield) 6.2kg (with sun-shield)

Drawings



Without sun-shield (KBA12)



With sun-shield (KBA12-D)