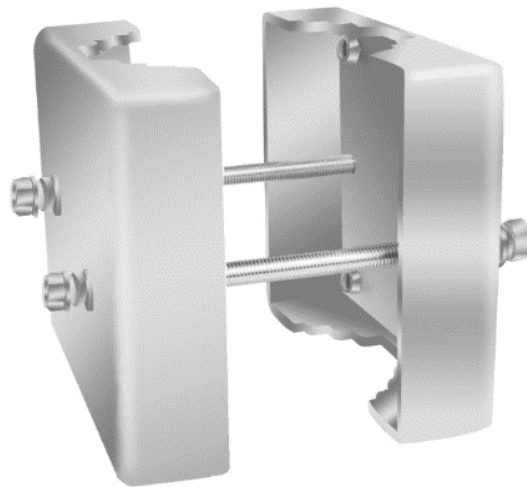


ZAZ6XX-PMB Pole mount adapter



Description:

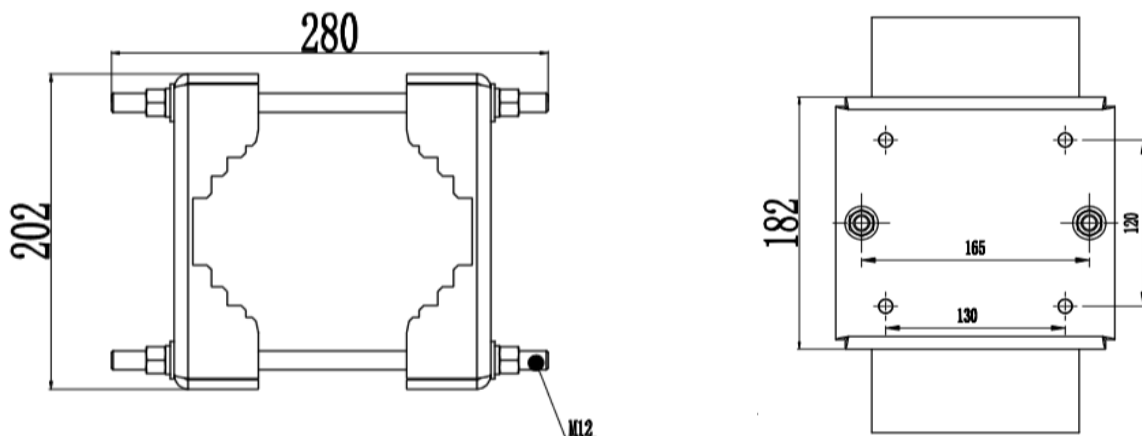
This is a stainless-steel CCTV bracket, which is designed for the pole mount of several kinds of explosion proof cameras from ZUOAN. It's a pretty good accessory when you have to fix the camera to a pole and let it have the specific monitoring angle. (Applicable Product Model: ZAF100, ZAF1032, ZAF105, ZAF106, CZ100, CZ1035, CZ109)

Main features

- Material: Stainless steel 304 or 316L
- Maximum Loading: 100Kg
- Indoor and outdoor installation
- Easy to install and maintain

General:

Material	Stainless steel 304 or 316L
Flexible Joint	Yes
Max Loading	100kg
Net Weight	6.6kg
Gross Weight	7.1kg
Overall dimension	280*182*202mm

Dimension**ZAZ6XX-PMB pole mounted bracket**