

CZ6354

ATEX, IECEx certified 2MP 25X Starlight Network Explosion

Proof PTZ Speed Dome Camera



Changzhou Zuoan Electronics Co., Ltd.
Peace village, Zhenglu Town, Tianning District, Changzhou, Jiangsu, P.R. China
Web: en.zaex.com.cn zuosan818@zaex.com.cn
Tel: 0519-88962115-873 Fax: 0519-88968180



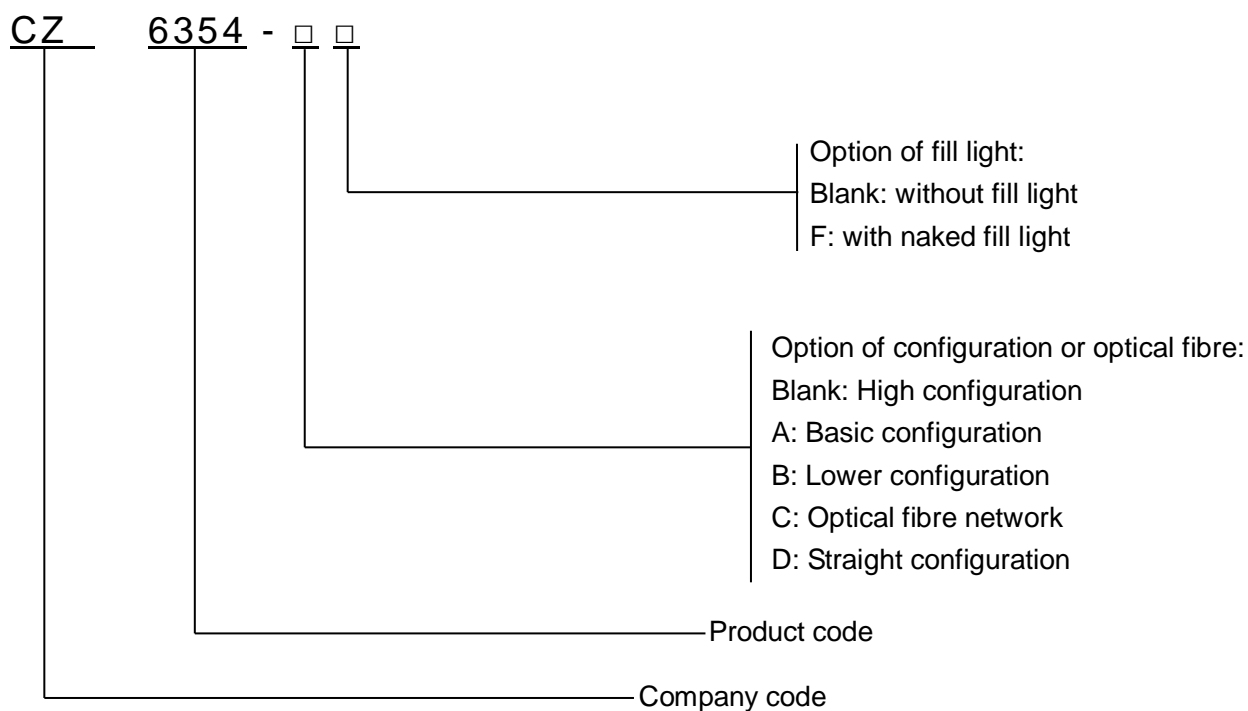
Features

- ATEX, IECEx certified
- Application: gas zone 1, zone 2; dust zone 21, 22.
- Exd II CT6 Gb/ Ex tD A21 IP68 T80°C
- Stainless steel 304 or 316L
- Optional electropolished or corrosion resistant paint finish
- Enclosure Protection: IP66, IP68(2m/2h)
- Power Supply: AC24V/1.5A(±10%), PoE+(802.3at)
- Powerful 25x optical zoom and accurate pan/tilt zoom performance
- 1/2.8" 2Megapixel CMOS
- Max.50/60 fps@ 1080P
- All-in-one solution for capturing long distance video surveillance for outdoor applications
- Startlight technology fits for dark, low-light applications
- True WDR for applications with direct sunlight or glare.
- Automatically filters out false alarms caused by animals, rustling leaves, bright lights,etc
- Automatically track an object in motion and keep it in the scene.
- Smart H.265+ technology reduces bit rate and storage requirements by up to 70% when compared to standard H.265 video compression.
- Wall and ceiling mounted way
- Optical fiber output version available

Application

CZ6354 series is a ZUOAN designed classic explosion-proof speed dome camera, which is integrated by explosion proof enclosure, speed dome module, sunshield. The explosion proof speed dome camera is applicable to Zone 1 and Zone 2 hazardous areas that explosive mixture of group IIA, IIB, IIC, T1~T6 gases, vapors and air may exist, Zone 21 and Zone 22 hazardous areas that explosive dust may exist, e.g. refining and chemical industry, oil extraction, gas production, fireworks production, grain production and storage, petrol station and so on.

CZ6354-□□□ EXPLOSION PROOF FIXED CAMERA




Specification:

Camera	
Image Sensor	1/2.8" CMOS
Effective Pixels	1920(H) x 1080(V), 2 Megapixels
RAM/ROM	1024M/128M
Scanning System	Progressive
Electronic Shutter Speed	1/1s~1/30,000s
Minimum Illumination	Color: 0.005Lux@F1.6; B/W: 0.0005Lux@F1.6
S/N Ratio	More than 55dB
IR Distance	N/A
IR On/Off Control	N/A
IR LEDs	N/A
Lens	
Focal Length	4.8mm~120mm
Max. Aperture	F1.6 ~ F4.4
Angle of View	H: 62.8° ~ 2.6°

Changzhou Zu'an Electronics Co., Ltd.
Peace village, Zhenglu Town, Tianning District, Changzhou, Jiangsu, P.R. China
Web: en.zaex.com.cn zuan818@zaex.com.cn
Tel: 0519-88962115-873 Fax: 0519-88968180




Optical Zoom	25x		
Focus Control	Auto/Manual		
Close Focus Distance	100mm~ 1000mm		
DORI Distance			
*Note: The DORI distance is a “general proximity” of distance which makes it easy to pinpoint the right camera for your needs. The DORI distance is calculated based on sensor specification and lab test result according to EN 62676-4 which defines the criteria for Detect, Observe, Recognize and Identify respectively.			
Detect	Observe	Recognize	Identify
1613m(5292ft)	646m(2119ft)	323m(1060ft)	161m(528ft)
PTZ			
Pan/Tilt Range	Pan: 0° ~ 360° endless; Tilt: 0° ~ 90°,auto flip 180°		
Manual Control Speed	Pan: 0.1° ~350° /s; Tilt: 0.1° ~250° /s		
Preset Speed	Pan: 500° /s; Tilt: 500° /s		
Presets	300		
PTZ Mode	5 Pattern, 8 Tour, Auto Pan ,Auto Scan		
Speed Setup	Human-oriented focal Length/ speed adaptation		
Power up Action	Auto restore to previous PTZ and lens status after power failure		
Idle Motion	Activate Preset/ Scan/ Tour/ Pattern if there is no command in the specified period		
Protocol	DH-SD		
Intelligence			
Event Trigger	Motion detection, Video tampering, Scene changing, Network disconnection, IP address conflict, Illegal Access, Storage anomaly		
Auto Tracking	Support		
IVS	Tripwire, Intrusion, Abandoned/Missing		
Advanced Intelligent Functions	Face Detection, Heat Map		
Video			
Compression	H.265+/H.265/H.264+/H.264		
Streaming Capability	3 Streams		
Resolution	1080P(1920×1080)/1.3M(1280×960)/720P(1280×720)/D1(704×576/704×480)/CIF(352×288/352×240)		
Frame Rate	Main stream: 1080P/1.3M/720P(1~50/60fps)		
	Sub stream1: D1/CIF(1 ~ 25/30fps)		
	Sub stream2: 1080P/1.3M/720P/D1/CIF (1~25/30fps)		

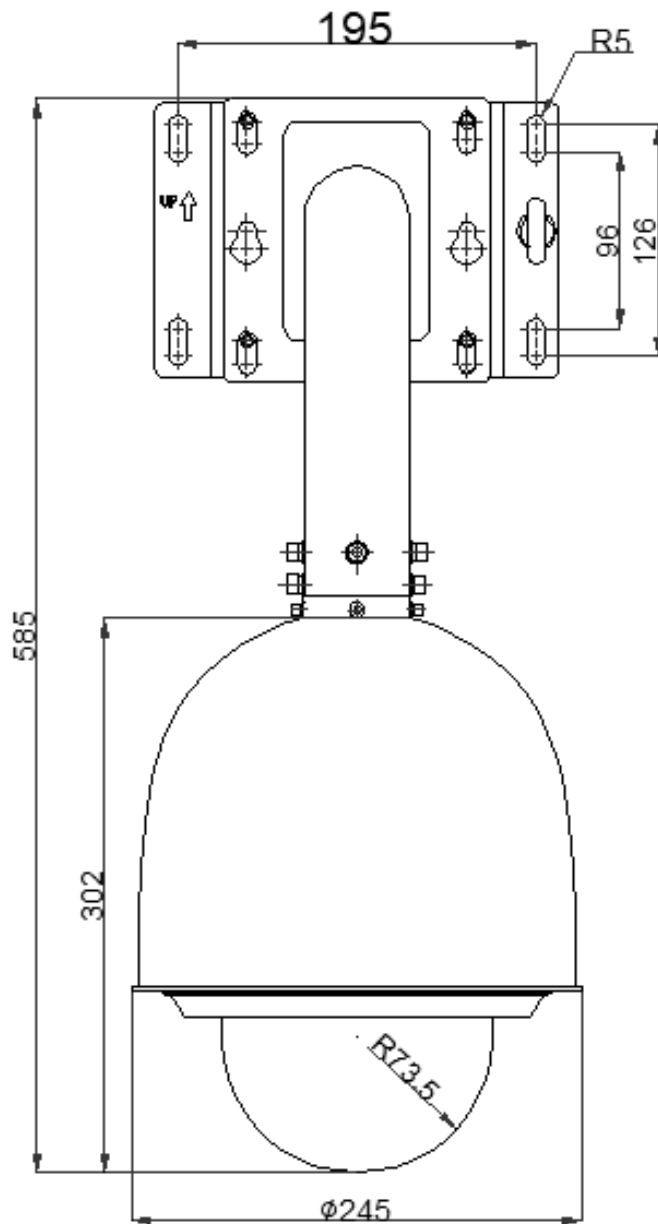
Bit Rate Control	CBR/VBR
Bit Rate	H.265/H.264: 448K ~ 8192Kbps
Day/Night	Auto(ICR) / Color / B/W
Backlight Compensation	BLC / HLC / WDR (120dB)
White Balance	Auto, ATW, Indoor, Outdoor, Manual
Gain Control	Auto / Manual
Noise Reduction	Ultra DNR (2D/3D)
Motion Detection	Support
Region of Interest	Support
Electronic Image Stabilization (EIS)	Support
Defog	Support
Digital Zoom	16x
Flip	180°
Privacy Masking	Up to 24 areas
Optional Audio	
Compression	G.711a/G.711Mu/AAC/G.722 / G.726/G.729/ MPEG2-L2
Network	
Ethernet	RJ-45 (10Base-T/100Base-TX)
Protocol	IPv4/IPv6, HTTP, HTTPS, SSL, TCP/IP, UDP, UPnP, ICMP, IGMP, SNMP, RTSP, RTP, SMTP, NTP, DHCP, DNS,PPPOE,DDNS,FTP, IP Filter,QoS,Bonjour,802.1x
Interoperability	ONVIF Profile S&G, API
Streaming Method	Unicast / Multicast
Max. User Access	20 users
Edge Storage	NAS (Network Attached Storage), Local PC for instant recording, Micro SD card 256GB
Web Viewer	IE, Chrome, Firefox, Safari
Management Software	Smart PSS, DSS, DMSS
Smart Phone	IOS, Android
Certification	
Certifications	ATEX, IECEx certified
Explosion proof certification	DNV 21 ATEX 38340X IECEX DNV 21.0048X
ATEX Explosion proof marking	With optical fiber:  II 2 G Ex db op pr II C T6 Gb

Changzhou Zuoan Electronics Co., Ltd.
Peace village, Zhenglu Town, Tianning District, Changzhou, Jiangsu, P.R. China
Web: en.zaex.com.cn zuoan818@zaex.com.cn
Tel: 0519-88962115-873 Fax: 0519-88968180



	<p> II 2 D Ex tb op pr IIIC T80 °C Db</p> <p>Without optical fiber:</p> <p> II 2 G Ex db II C T6 Gb</p> <p> II 2 D Ex tb IIIC T80 °C Db</p>
IECEx Explosion proof marking	<p>Without optical fibre:</p> <p>Ex db IIC T6 Gb</p> <p>Ex tb IIIC T80°C Db</p> <p>With optical fibre:</p> <p>Ex db op pr IIC T6 Gb</p> <p>Ex tb op pr IIIC T80°C Db</p>
Optional Interface	
Video Interface	N/A
RS485	N/A
Audio I/O	1/1
Alarm I/O	2/1
Electrical	
Power Supply	AC24V/1.5A(±10%), PoE+(802.3at)
Power Consumption	13W,23W (Heater on)
Environment	
Operating Conditions	-40°C ~ 60°C (-40°F ~ +140°F) / Less than 95% RH
Ingress Protection	IP66, IP68 (2m/2h)
Air pressure	80~110kPa
Construction	
Casing	Stainless steel 304 or 316L
Dimensions	245*245*302mm (without bracket)
Cable	Integrated cable
Cable thread hole	1pcs M27×1.25 or M25×1.5
Weight	13.5kg (without bracket)
Sunshade	Support
Wall bracket	ZAZ637-B
Ceiling bracket	ZAZ637-D

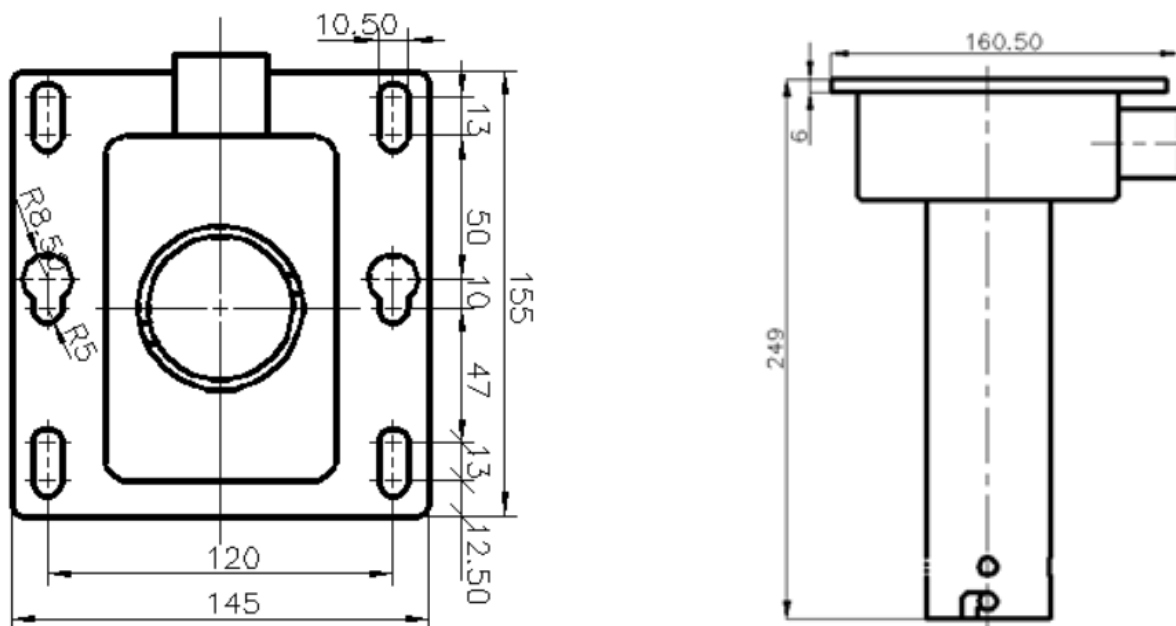
Dimension (With Wall Bracket)



ZAZ637-B wall bracket



ZAZ637-D ceiling mounted bracket



Ceiling mount bracket dimension