

## ZA-AD-911 Explosion Proof Sound Pickup



### Description

Explosion proof sound pickup is a device that collects voice messages and converts them into electrical signals for output. ZUOAN made ZA-AD-911 explosion proof sound pickup is applicable to Zone 1 & Zone 2 hazardous areas that explosive mixture of group IIA, IIB, IIC, T1~T6 gases, vapors and air may exist, Zone 21 and Zone 22 hazardous areas that explosive dust may exist.

### Product Features

- High fidelity, clear voice, low noise, no electronic "hissing" noise
- High sensitivity, enhanced omnidirectionality
- Suits for indoor and outdoor environment, easy installation, friendly maintenance



Changzhou Zuoan Electronics Co., Ltd.  
Peace village, Zhenglu Town, Tianning District, Changzhou, Jiangsu, P.R. China  
Web: en.zaex.com.cn      zuoan818@zaex.com.cn  
Tel: 0519-88962115-873      Fax: 0519-88968180



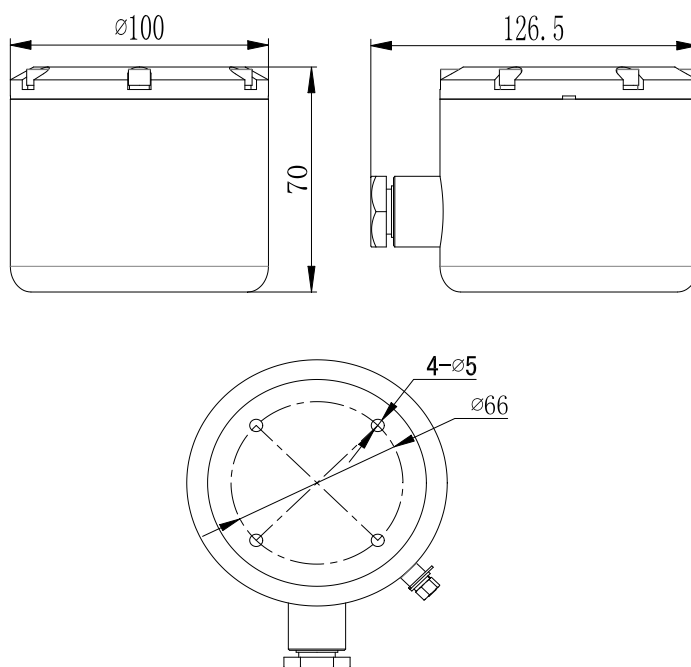
## Specification

Voltage	AC100~240V or DC12V	Material	Stainless steel 304/ 316L
Ex Certification No.	CNEx22.2964X	Ex Certificate Mark	Ex db IIC T6Gb/Ex tb IIIC T80C Db
Product Standard	Q/320412ZAF117-2022	Ingress Protection	IP66
Cable Thread Hole Spec.	M16×1.25	Cable Thread Hole No.	1
Weight	1.8Kg	Temperature Range	-40℃~+60℃
Air pressure	80KPa~110KPa	Working Current	≤100mA
Frequency Response	20Hz~20KHz	Sensitivity	-42dB
Monitoring range	≤1 m <sup>2</sup>	Output Impedance	600Ω nonequilibrium

## Supported devices

Explosion proof equipment with audio interface

## Dimension



Changzhou Zuoan Electronics Co., Ltd.  
Peace village, Zhenglu Town, Tianning District, Changzhou, Jiangsu, P.R. China  
Web: en.zaex.com.cn      zuoan818@zaex.com.cn  
Tel: 0519-88962115-873      Fax: 0519-88968180

