

CZ637-□

ATEX, IECEx certified DARK FIGHTER TYPE 2MP 33X AI

Network Explosion Proof PTZ Speed Dome Camera



IP66 IP68 IP69

Changzhou Zuoan Electronics Co., Ltd.

Peace village, Zhenglu Town, Tianning District, Changzhou, Jiangsu, P.R. China

Web: en.zaex.com.cn zuosan818@zaex.com.cn

Tel: 0519-88962115-873 Fax: 0519-88968180



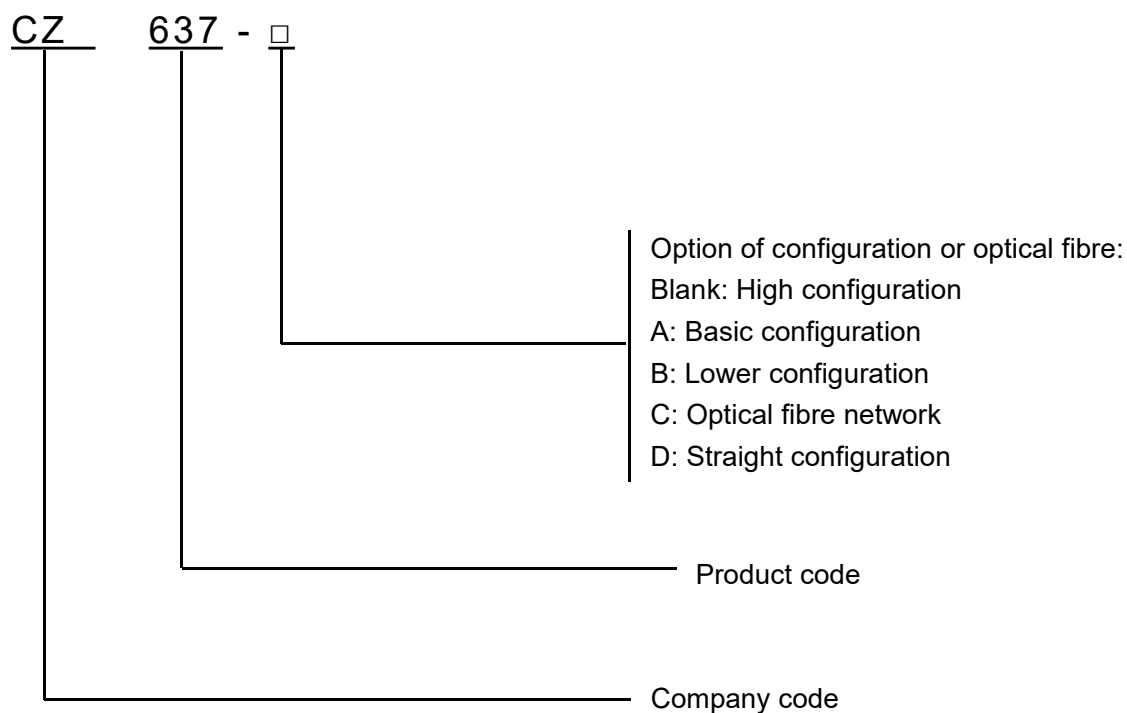
Features

- ATEX, IECEx certified
- Application: gas zone 1, zone 2; dust zone 21, 22.
- Stainless steel 304 or 316L
- Optional electropolished or corrosion resistant paint finish
- Enclosure Protection: IP66, IP68(2m/2h), IP69
- Power Supply: AC24V/3A±25%, PoE+ (802.3at)
- Powerful 33x optical zoom and accurate pan/tilt zoom performance
- 1/1.8" 2Megapixel CMOS
- Max. 50/60fps@1080P
- All-in-one solution for capturing long distance video surveillance for outdoor applications
- Startlight technology fits for dark, low-light applications
- True WDR for applications with direct sunlight or glare.
- Automatically filters out false alarms caused by animals, rustling leaves, bright lights, etc
- Automatically track an object in motion and keep it in the scene.
- Smart H.265+ technology reduces bit rate and storage requirements by up to 70% when compared to standard H.265 video compression.
- Wall and ceiling mounted way
- Optical fiber output version available

Application

CZ637 series is a ZUOAN designed classic explosion-proof speed dome camera, which is integrated by explosion proof enclosure, speed dome module, sunshield. The explosion proof speed dome camera is applicable to Zone 1 and Zone 2 hazardous areas that explosive mixture of group IIA, IIB, IIC, T1~T6 gases, vapors and air may exist, Zone 21 and Zone 22 hazardous areas that explosive dust may exist, e.g. refining and chemical industry, oil extraction, gas production, fireworks production, grain production and storage, petrol station and so on.

CZ637-□ EXPLOSION PROOF FIXED CAMERA



Specification:

| Camera | |
|--------------------------|--|
| Image Sensor | 1/1.8" CMOS |
| Max. Resolution | 1920 (H) x 1080 (V) |
| Effective Pixels | 2MP |
| ROM | 4GB |
| RAM | 1GB |
| Electronic Shutter Speed | 1–1/30000 s |
| Scanning System | Progressive |
| Min. Illumination | Color: 0.001Lux@F1.5 B/W: 0.0001Lux@F1.5 |
| IR Distance | NA |
| IR On/Off Control | NA |
| IR LEDs Number | NA |
| Lens | |
| Focal Length | 5.8 mm–191.4 mm |
| Max. Aperture | F1.5–F4.8 |

Changzhou Zuoa Electronics Co., Ltd.
Peace village, Zhenglu Town, Tianning District, Changzhou, Jiangsu, P.R. China
Web: en.zaex.com.cn zuoan818@zaex.com.cn
Tel: 0519-88962115-873 Fax: 0519-88968180



| | | | | |
|----------------------|---|-----------------------|-----------------------|----------------------|
| Field of View | H: 60.1°–3.2°; V: 35.3°–1.8°; D: 67.9°–3.7° | | | |
| Optical Zoom | 33x | | | |
| Focus Control | Auto/Semi-Auto/Manual | | | |
| Close Focus Distance | 0.1 m–1 m (0.33 ft–3.28 ft) | | | |
| Iris Control | Auto/Manual | | | |
| DORI Distance | Detect | Observe | Recognize | Identify |
| | 1655 m (5429.80 ft) | 622 m (2040.68 ft) | 331 m (1085.96 ft) | 165 m (541.34 ft) |

PTZ

| | |
|----------------------|--|
| Pan/Tilt Range | Pan: 0°–360° Tilt: -20°–+90° |
| Manual Control Speed | Pan: 0.1°/s–300°/s Tilt: 0.1°/s–150°/s |
| Preset Speed | Pan: 600°/s Tilt: 500°/s |
| Presets | 300 |
| Tour | 8 (up to 32 presets per tour) |
| Pattern Number | 5 |
| Scanning Number | 5 |
| Speed Adjustment | Support |
| Power-off Memory | Support |
| Idle Motion | Preset/Tour/Pattern/Scanning |
| Protocol | DH-SD Pelco-P/D (auto recognition) |

Artificial Intelligence





| | |
|----------------------|--|
| Video Metadata | Support human, motor vehicle and non-motor vehicle image capture. |
| Perimeter Protection | Tripwire and intrusion. Support alarm triggering by target types (human and vehicle). Support filtering false alarms caused by animals, rustling leaves, bright lights, etc. |
| SMD Plus | Support |
| Auto Tracking | Support |
| Face Detection | Support |

General Intelligence

| | |
|--------------------------------|---|
| Event Trigger | Motion detection, video tampering, scene changing, network disconnection, IP address conflict, illegal access, and storage anomaly. |
| General IVS | Object Abandoned/Missing |
| Video | |
| Compression | H.265/H.265+/H.264+/H.264/MJPEG (sub stream) |
| Streaming Capability | 3 streams |
| Resolution | 1080P (1920 × 1080); 1.3M (1280 × 960); 720P (1280×720); D1 (704 × 576/704×480); CIF (352 × 288/352× 240) |
| Frame Rate | Main stream: 1080P/1.3M/720P (1–50/60fps) Sub stream 1: D1/CIF (1–25/30fps) Sub stream 2: 1080P/1.3M/720P/D1/CIF (1–25/30fps) |
| Bit Rate Control | Variable Bit Rate/Constant Bit Rate |
| Bit Rate | H.265/H.264: 3 kbps–20480 kbps |
| Day/Night | Auto (ICR)/Color/B/W |
| BLC | Support |
| WDR | 120 dB |
| HLC | Support |
| White Balance | Auto/Indoor/Outdoor/Tracking/Manual/Sodium lamp/ Natural light/Street lamp |
| Gain Control | Auto/Manual |
| Noise Reduction | 2D/3D |
| Motion Detection | Support |
| Region of Interest | Support |
| Electronic Image Stabilization | Support |
| Defog | Support |
| Digital Zoom | 16x |
| Flip | 0°/180° |
| Privacy Masking | Up to 24 areas |
| Audio | |
| Compression | G.711A; G.711Mu; G.726; AAC; G.722.1; G.723; G.729; PCM; MPEG2-Layer2 |
| Certification | |
| Certifications | ATEX, IECEx, CE certified |
| ATEX | DNV 22 ATEX 82491X |

Changzhou Zuoan Electronics Co., Ltd.
Peace village, Zhenglu Town, Tianning District, Changzhou, Jiangsu, P.R. China
Web: en.zaex.com.cn zuoan818@zaex.com.cn
Tel: 0519-88962115-873 Fax: 0519-88968180



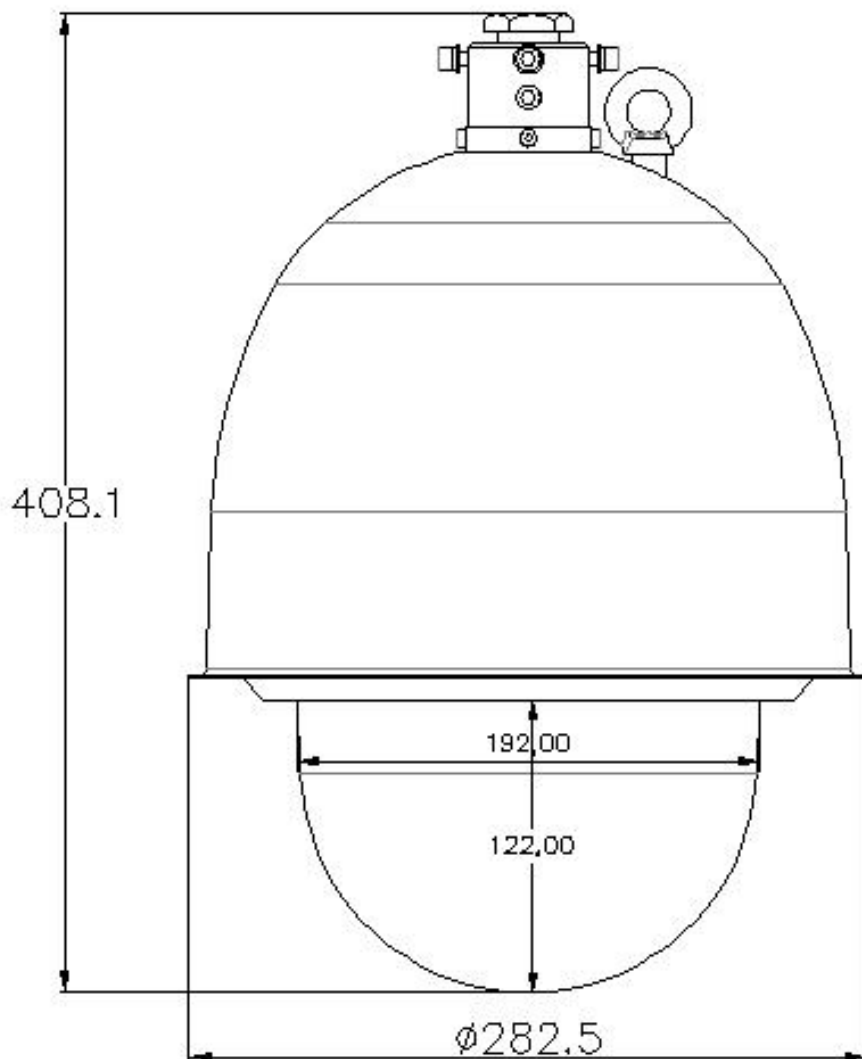
| | |
|-------------------------------|---|
| ATEX Standards | EN IEC60079-0:2018, EN60079-1:2014, EN60079-28:2015, EN60079-31:2014 |
| IECEX | IECEX DNV 22.0122X |
| IECEX Standards | IEC60079-0:2017, IEC60079-1:2014-06, IEC60079-28:2015, IEC60079-31:2022-01 |
| CE | EMC, LVD, FCC |
| CE Standards | LVD: EN 62368-1: 2014+A11: 2017 FCC: 47 CFR FCC Part15, Subpart B, Class B ANSI C63.4:2014 EMC: EN 55032:2015+A11: 2020+A1:2020, Class B EN IEC 61000-3-2: 2019+A1: 2021 EN 61000-3-3: 2013+A1: 2019+A2: 2021 EN 55024: 2010+A1: 2015 EN 55035: 2017+A11: 2020 EN 50130-4: 2011+A1: 2014 |
| ATEX Explosion proof marking | Without optical fibre  II 2 G Ex db IIC T6 Gb  II 2 D Ex tb IIIC T80° C Db With optical fibre:  II 2 G Ex db op pr IIC T6 Gb  II 2 D Ex tb op pr IIIC T80°C Db |
| IECEX Explosion proof marking | Without optical fibre: Ex db IIC T6 Gb Ex tb IIIC T80°C Db With optical fibre: Ex db op pr IIC T6 Gb Ex tb op pr IIIC T80°C Db |
| Optional Port | |
| Audio In | 1 (LINE IN; bare wire) |
| Audio Out | 1 (LINE OUT; bare wire) |
| Alarm Port | 7/2 |

Changzhou Zuoa Electronics Co., Ltd.
Peace village, Zhenglu Town, Tianning District, Changzhou, Jiangsu, P.R. China
Web: en.zaex.com.cn zuoan818@zaex.com.cn
Tel: 0519-88962115-873 Fax: 0519-88968180

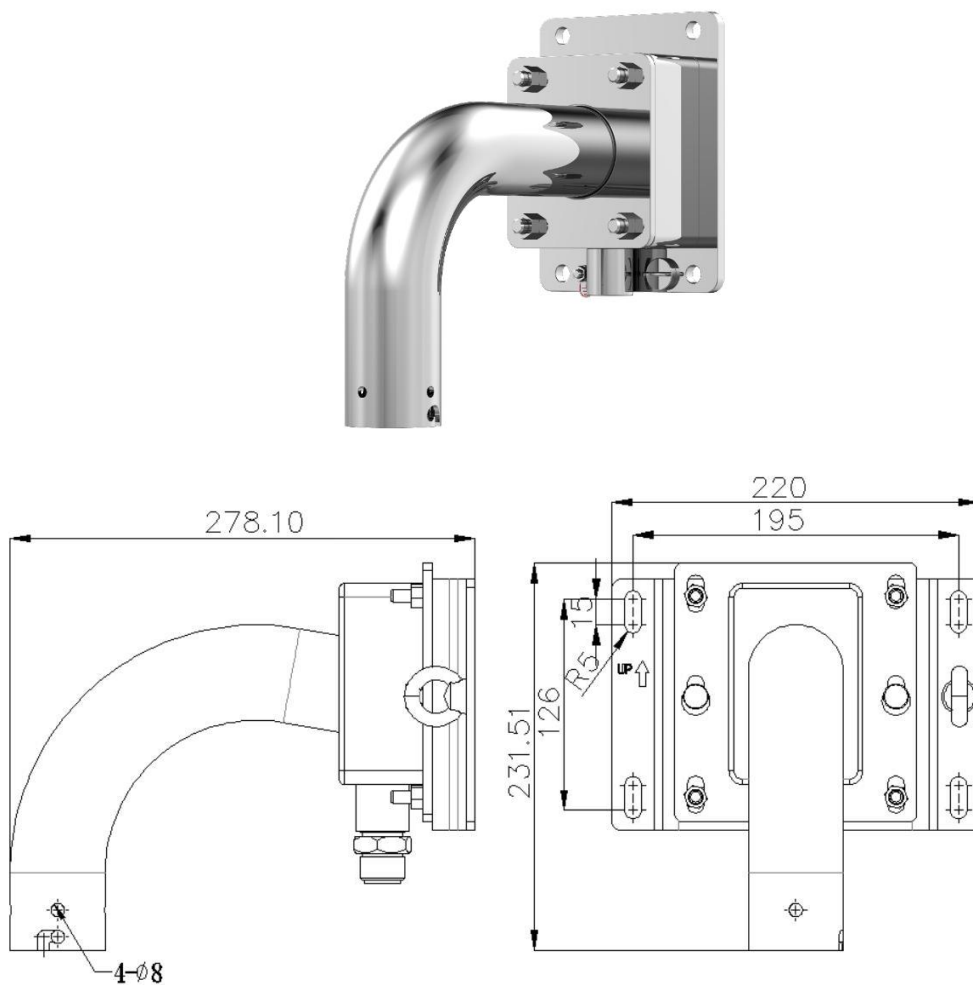


| Network | |
|------------------------------------|--|
| Ethernet | RJ-45 (10/100Base-T) |
| Protocol | IPv4; IPv6; HTTP; HTTPS; 802.1x; Qos; FTP; SMTP; UPnP; SNMPv1/v2c/v3(MIB-2); DNS; DDNS; NTP; RTSP; RTP; TCP; UDP; IGMP; ICMP; DHCP; PPPoE; ARP; RTCP |
| Interoperability | ONVIF Profile S&G; CGI |
| Streaming Method | Unicast/Multicast |
| User/Host | 20 (Total bandwidth 48M) |
| Edge Storage | FTP; Micro SD card (256G); P2P |
| Browser | IE7 and newer versions Chrome 42 and older versions Firefox 52 and older versions Safari |
| Management Software | Smart Player; Smart PSS; DSS; Easy4ip |
| Smart Phone | IOS/Android |
| Power | |
| Power Supply | AC24V/3A±25% PoE+ (802.3at) |
| Power Consumption | 20W 34W (heater on) |
| Environment | |
| Operating Temperature | -40°C to +60°C (-40°F to +140°F) |
| Operating Humidity | ≤95% RH |
| Ingress Protection | IP66, IP68 (2m, 2h), IP69 |
| Structure | |
| Casing | Stainless steel 304 or 316L |
| Cable | Integrated cable |
| Cable thread hole | 1pcs M27×1.25 or M25×1.5 |
| Dimensions | 282.5*282.5*408.1mm |
| Weight | 20kg |
| Mounted | Wall, ceiling |
| Wall bracket | ZAZ637-B |
| Ceiling mounted bracket (optional) | ZAZ637-D |
| Sunshield | Supported |
| Safety hook | Supported |

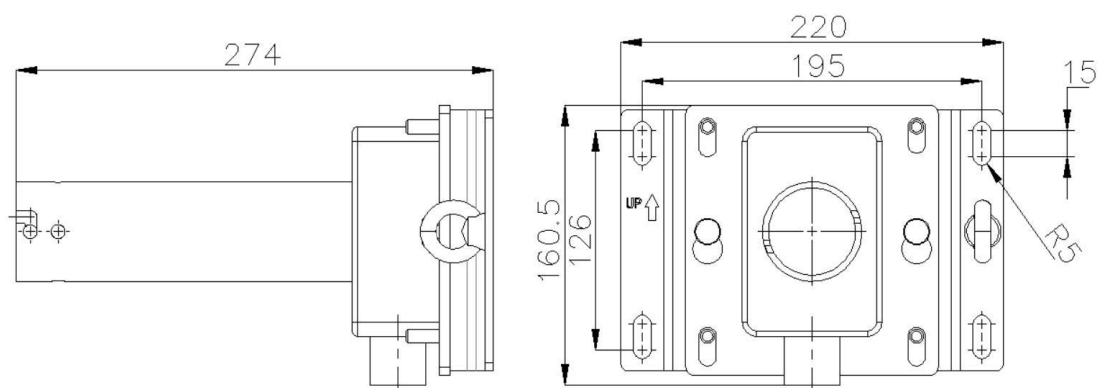
Dimension



Bracket for Wall or Ceiling



ZAZ637-B wall bracket



ZAZ637-D ceiling mounted bracket (optional)