

CZ109 2MP 4x Zoom Explosion Proof Corrosion Proof Camera with Light



IP66 IP68 IP69

Application Scenarios

The ATEX & IECEX certified CZ109 are ZUOAN designed classic explosion-proof corrosion-proof camera, which can load various camera. This product has obtained group II explosion-proof level certification and temperature level certification, applicable for Zone 1 and Zone 2 hazardous areas that explosive mixture of group IIA, IIB, IIC, T1~T6 gases, vapors and air may exists, Zone 21 and Zone 22 hazardous areas that explosive dust may exist. For example: refine, oil extraction, gas extraction, chemical, petrol station and other environment.

Changzhou Zuoan Electronics Co., Ltd.
Peace village, Zhenglu Town, Tianning District, Changzhou, Jiangsu, P.R. China
Web: en.zaex.com.cn
zuonan818@zaex.com.cn
Tel: 0519-88962115-873 Fax: 0519-88968180

Main Features:

- ATEX, IECEx certified
- Application: Gas zone 1 and zone 2; Dust zone 21 and zone 22
- Ex db IIC T6 Gb/ Ex tb IIIC T80°C Db
- Stainless steel 304/316L
- Optional electropolished or corrosion resistant paint finish
- Enclosure Protection: IP66 IP68 (2m 2h) IP69
- 2MP, Max. 1920*1080 resolution
- 1/2.8" progressive scan, CMOS image sensor
- 4x optical zoom; focal length 2.8 mm to 12 mm
- Zoom speed: 1.7 s
- Min. illumination: color: 0.05 Lux @(F1.6, AGC ON), B/W: 0.01 Lux @(F1.6, AGC ON)
- Power input: AC100-240V, AC24V, PoE, DC12V (choose one option)
- IR cut filter with auto switch
- H.264, H.265
- 3D DNR, low bit rate, digital WDR
- Small size and low power consumption

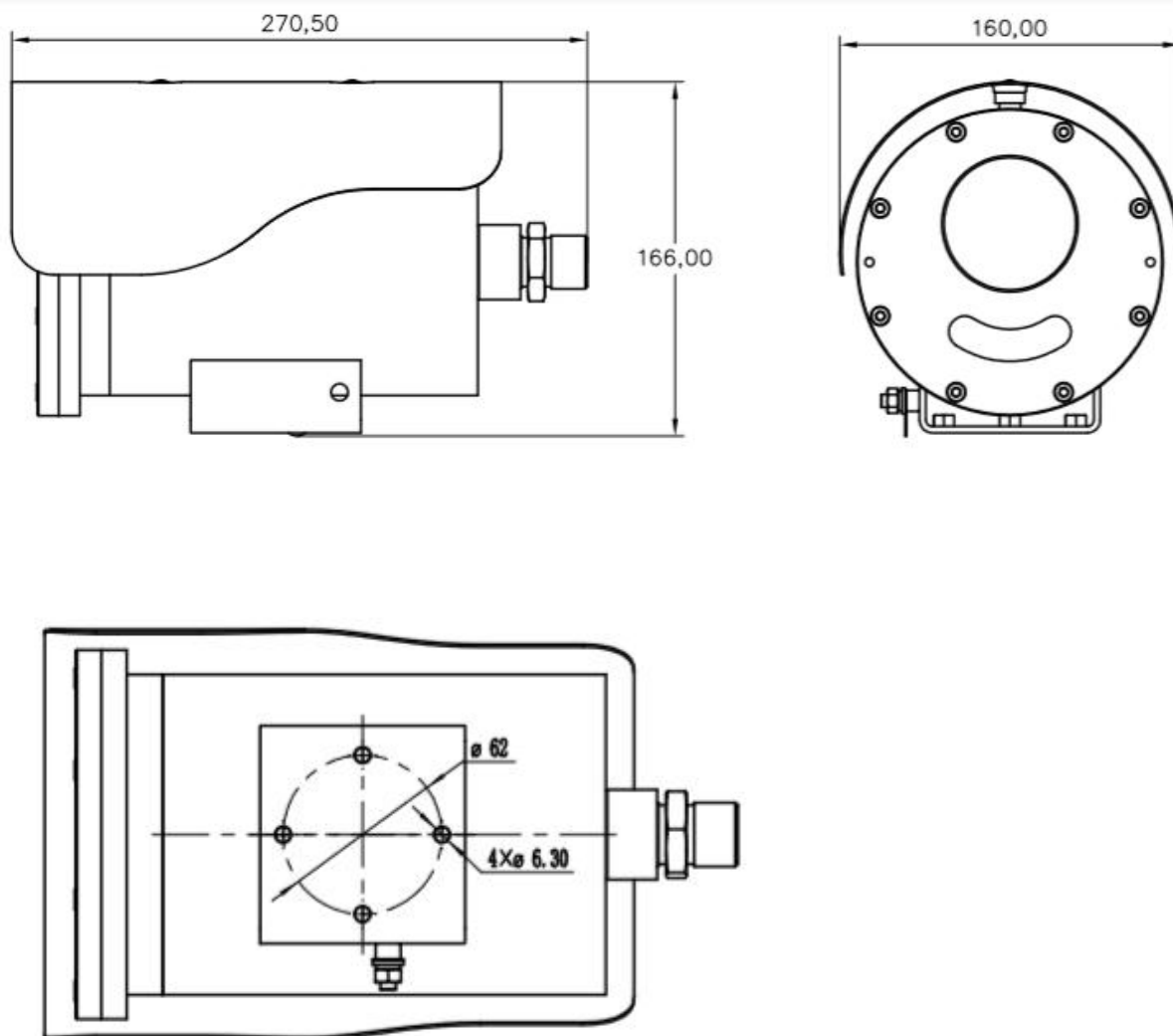
Specification:

Camera Module	
Image Sensor	1/2.8" progressive scan CMOS
Min. Illumination	color: 0.05Lux @ (F1.6, AGC ON); B/W: 0.01Lux @(F1.6, AGC ON)
Resolution and Frame Rate	main stream: 50Hz: 25fps (1920×1080, 1280×960, 1280×720); 60Hz: 30fps (1920×1080, 1280×960, 1280×720); sub-stream: 50Hz: 25fps (704×576, 640×480, 352×288); 60Hz: 30fps (704×480, 640×480, 352×240)
Video Compression	H.264, H.265
Optional Audio Compression	G.722.1, G.711-a law, G.711-u law, MP2L2, G.726, PCM
White Balance	manual, auto 1, auto 2, sodium lamp, indoor, outdoor, fluorescent lamp
Gain Control	auto, manual
SNR	> 52dB
3D DNR	yes
BLC	yes
Regional Focus	yes
Shutter	1/1 s to 1/30,000 s

Day & Night	Auto/Color/BW/Scheduled-Switch/Triggered by Alarm Input
Digital Zoom	12×
Focus	auto, semi-auto, manual
Regional Exposure	yes
Video Bit Rate	32 Kbps to 16 Mbps
Heartbeat	yes
Day/Night Switch	IR Cut Filter
Exposure Mode	auto, iris priority, shutter priority, manual
Lens	
Focal Length	2.8 mm to 12 mm, 4× optical
Zoom Speed	approx. 1.7s (optical, wide-tele)
Horizontal FOV	107.4° to 39.8° (wide-tele)
Aperture	F1.6 to F2.7
Function	
Image Enhancement	WDR, HLC
Smart Encoding	low bit rate, ROI
Exception Detection	illegal login
Power-off Memory	yes
Smart Detection	motion detection, video tampering detection, audio exception detection, intrusion detection, line crossing detection
Network	
Protocols	IPv4/IPv6, HTTP, HTTPS, 802.1x, Qos, FTP, SMTP, UPnP, DNS, DDNS, NTP, RTSP, RTCP, RTP, TCP/IP, DHCP, Bonjour
API	open-ended, support ONVIF and ISAPI, support HIKVISION SDK and third-party management platform
Web Browser	IE 8 to 11, Chrome 31.0+, Firefox 30.0+, Safari 11+
Simultaneous Live View	up to 20 channels
User	up to 32 users; 3 levels: administrator, operator, and user
Security Measures	user authentication (ID and PW); host authentication (MAC address); HTTPS encryption; IEEE 802.1x port-based network access control
Certification	
Certification	ATEX, IECEx certified
Explosion proof certification	DNV 22 ATEX 51565X IECEX DNV 22.0097X
ATEX Explosion proof marking	⊕ II 2 G Ex db II C T6 Gb ⊕ II 2 D Ex tb IIIC T80°C Db
IECEX Explosion proof marking	Ex db IIC T6 Gb/Ex tb IIIC T80°C Db

Interface	
Power Interface	AC100-240V, AC24V, PoE, DC12V (choose one option)
Communication Interface	10 M/100 M Ethernet interface
Optional Audio I/O	1-ch audio input and 1-ch audio output
Optional Alarm I/O	1-ch alarm input and 1-ch alarm output
RS-485	yes
On-board Storage	yes (no on-board Micro SD card socket)
Environment	
Ambient Temperature	-40 °C to +60 °C (-40 °F to +140 °F)
Operating Humidity	≤ 95%
Protection	IP66 IP68 (2m 2h) IP69
General	
Power Consumption	static: 2.5 W; dynamic: 4.5 W
Dimensions	270.50 mm X 166.00 mm X 160.00 mm (L x W x H)
Gross Weight	6.5 kg (14.33 lb)
Net Weight	5.6 kg (12.34 lb)
Cable thread hole	1set M25*1.5 (standard), G3/4 or M27*1.25
Casing	Stainless steel 304/316L
Bracket	ZAZ100B Wall bracket with adaptor

Drawings



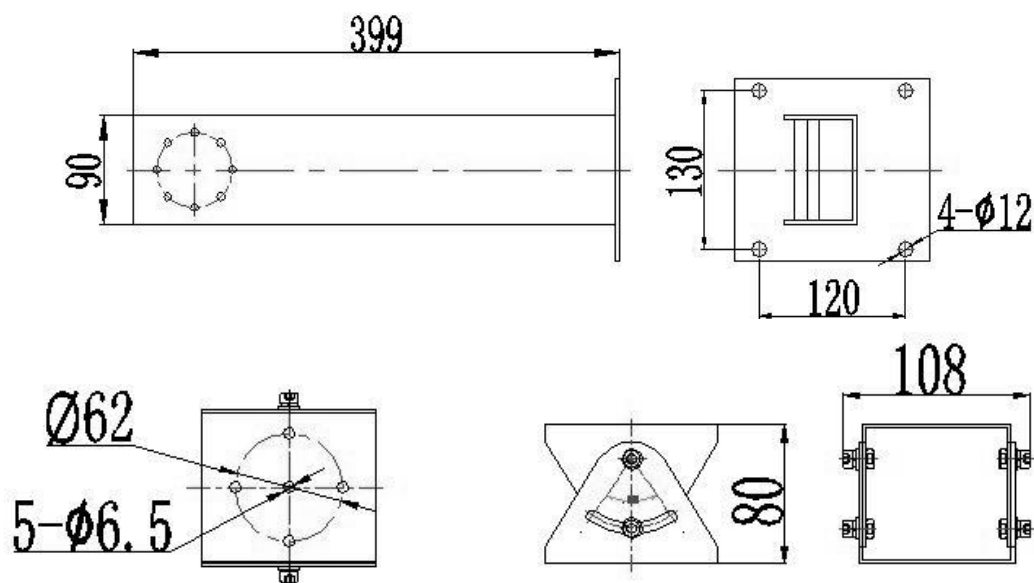
ZAZ100B Wall bracket with adaptor



General

Material	Stainless steel 304 or 316L
Max Loading	20kg
Gross Weight	2.5kg

Dimension



Changzhou Zuoan Electronics Co., Ltd.
 Peace village, Zhenglu Town, Tianning District, Changzhou, Jiangsu, P.R. China
 Web: en.zaex.com.cn
 zuoan818@zaex.com.cn
 Tel: 0519-88962115-873 Fax: 0519-88968180