

CZ300 Explosion Proof Control Box



Application


Having obtained Group II explosion proof certification and (T) level temperature certification, CZ300 explosion proof control box is adapted for hazardous areas which consist of air mixed with explosive gas of group IIA, IIB, IIC, T1~T6, and explosive dust. It's been widely used in explosion-prone places e.g. refining, oil extraction, gas production, chemical engineering, grain processing and storage, gas stations and so on.

Description

CZ300 explosion proof control box is a technically mature Ex equipment. It can accommodate a certain size electrics accessory. Gaining strong protection from its stainless steel closure, CZ300 products have been extensively applied in hazardous areas with explosive gases and dusts.

Features

- Stainless steel 304 / 316L
- Suit for indoor and outdoor mounting
- Easy to install and maintenance
- ATEX, IECEx double certification

ATEX Certification:Certificate Mark:   II 2 G Ex db II C T6 Gb II 2 D Ex tb IIIC T80°C Db

Certificate No. Presafe 17 ATEX 11327X

Ingress Protection: IP66, IP68(2m/2h), IP69

IECEX Certification:

Certificate Mark: Ex db IIC T6 Gb

Ex tb III T80°C Db

Certificate No. IECEX PRE 18.0010X

Ingress Protection: IP66, IP68(2m/2h), IP69

Electricity:

Working Voltage: AC100V~AC240V 50Hz / 60Hz

or AC24V 50Hz / 60Hz

or DC24V or DC48V

Working Current: ≤1.5A

Environment:

Air pressure: 80~110KPa

Ambient temperature: -40°C~+60°C

Relative Humidity: 95%RH(+25°C)

Mechanical:

Material: Stainless steel 304 / 316L

Internal available space: ∅ 233×128mm

Weight: 14kg

Cable Thread Hole No.: 4 / 6

Cable Thread Hole Spec.: M27×1.25 or M25×1.5 or M20×1.5 or M32×1.5 (Optional)

Mounting: Wall bracket, Base



Changzhou Zuoan Electronics Co., Ltd.





Peace village, Zhenglu Town, Tianning District, Changzhou, Jiangsu, P.R. China

Web: en.zaex.com.cn zuoan818@zaex.com.cn

Tel: 0519-88962115-873 Fax: 0519-88968180



Specification

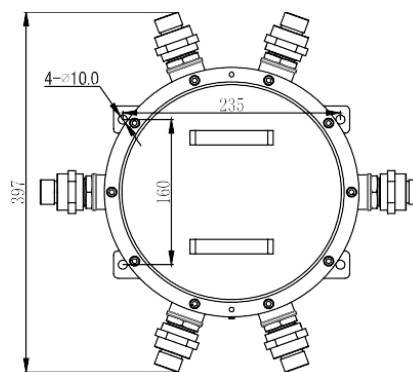
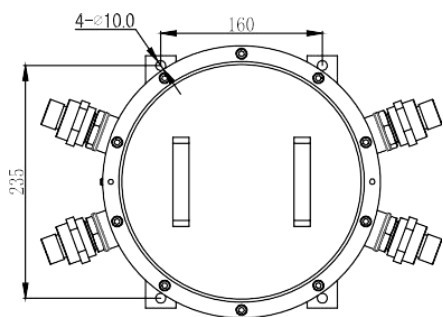
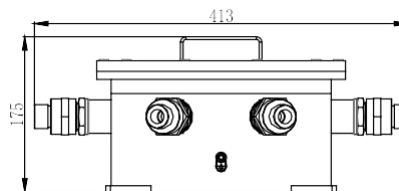
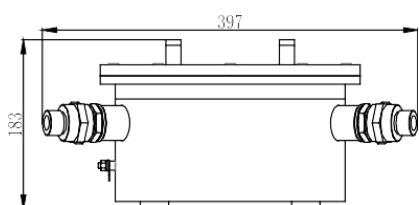
Model	
Model	CZ300,CZ300-E,CZ300-N,CZ300-EN,CZ300-F, CZ300-EF,CZ300-NF,CZ300-ENF
Name	Explosion Proof Box
Certification	
Certificate Mark	ATEX   I M2 Ex db I Mb  II 2 G Ex db II C T6 Gb  II 2D Ex tb IIIC T80°C Db IECEX: Ex db IIC T6 Gb /Ex tb III T80°C Db
Certificate No.	ATEX: Presafe 17 ATEX 11327X issue1 IECEX: IECEX PRE 18.0010X issue1
Mechanical	
Material	Stainless steel 304, 316L (Optional)
Ingress Protection	IP66, IP68(2m/2h), IP69
Cable Thread Hole	Four or six M27×1.25 / M25×1.5 / M20×1.5 / M32×1.5 (Optional)
Electricity	
Voltage	100~240V a.c. 50/60Hz or 24V a.c. 50/60Hz or 24V d.c. or 48V d.c.
Current	≤1.5A
Power Consumption	≤40W (The total input power including the external loads connected to the power out module) Excluding the power consumption of direct transfer terminals
Lightning Protection (Optional)	TVS 6000V lightning protection, surge protection, conform to GB/T 17626.5 4
Power Input	100~240V a.c. 50/60Hz
Power Output	100~240V a.c. 50/60Hz or 24V a.c. 50/60Hz or 24V d.c. or 48V d.c.
Network Communication	3 ways
485 Communication	1 way
Alarm Input (Optional)	2 ways
Alarm Output (Optional)	2 ways (1 way for washer)
Audio Input (Optional)	1 way
Audio Output (Optional)	1 way
Washer Control(Optional)	DC24V or DC12V or Switch quantity

Changzhou Zuoa Electronics Co., Ltd.
Peace village, Zhenglu Town, Tianning District, Changzhou, Jiangsu, P.R. China
Web: en.zaex.com.cn zuoan818@zaex.com.cn
Tel: 0519-88962115-873 Fax: 0519-88968180



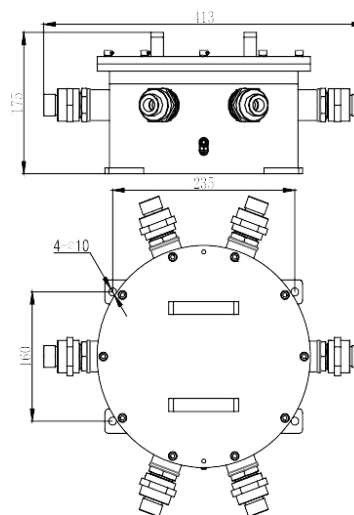
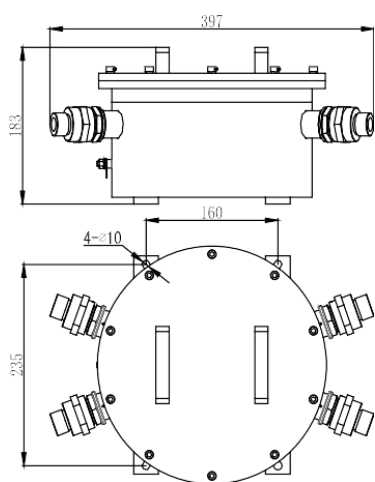
Analog Video (Optional)	1 way
Built-in Optical Fibre	Single Mode simplex fiber (standard) Multi mode duplex fiber (Optional)
Single mode Maximum transmission distance of optical fiber	Single mode: 20km Standard Configuration, 40km/60km/80km/100km (Optional); Multi mode: 500m (standard)
connector	FC (standard) /SC/ST
Environment	
Ambient Temperature	-40℃~+60℃
Air Pressure	80KPa~110KPa
Relative Humidity	95% RH (+25℃)
General	
Electrical connections	Integrated Cable
External dimensions	Length 310mm× Width 275mm× Height 183mm
Internal dimensions	∅ 233×128
Weight	14KG (without package)
Installation	Wall mount by Base hole, Pole mount by pole bracket

Overall Sizes & Installation Dimensions



CZ300

CZ300-E



CZ300-N

CZ300-EN